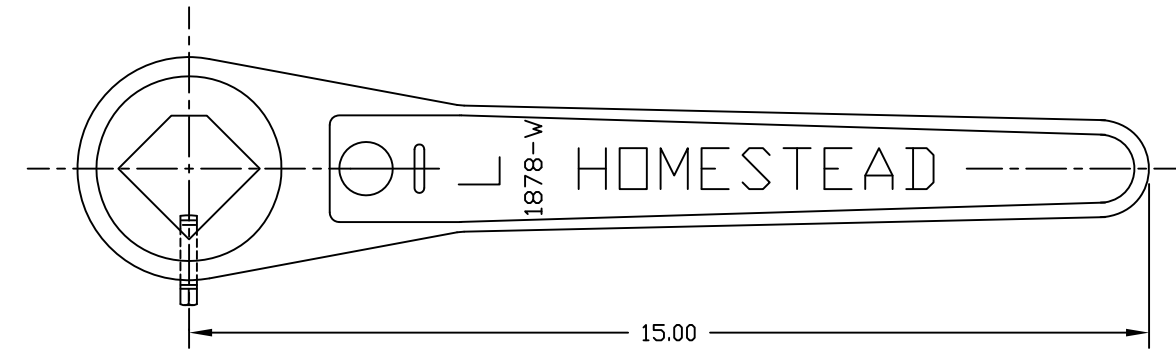
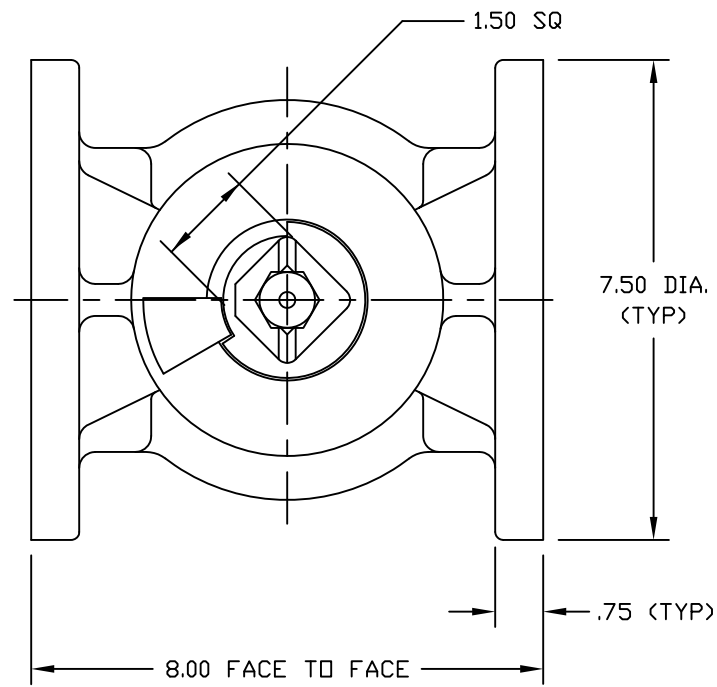
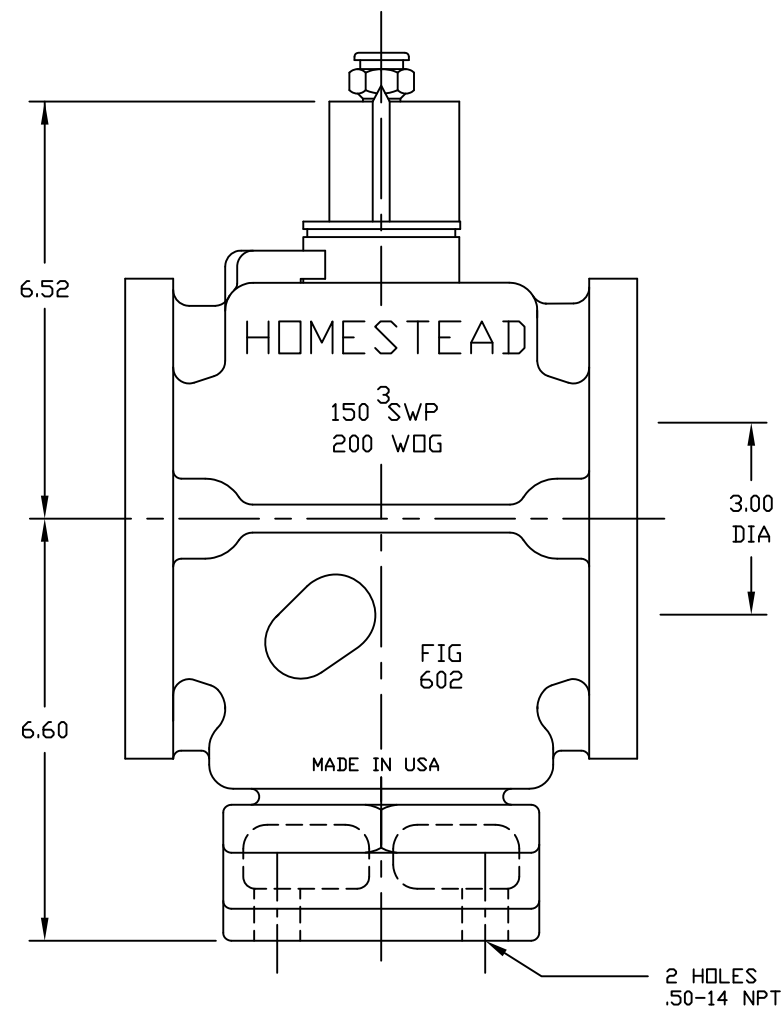


ANSI CLASS 125, CAST IRON LUBRICATED PLUG VALVE
GENERAL SPECIFICATIONS:

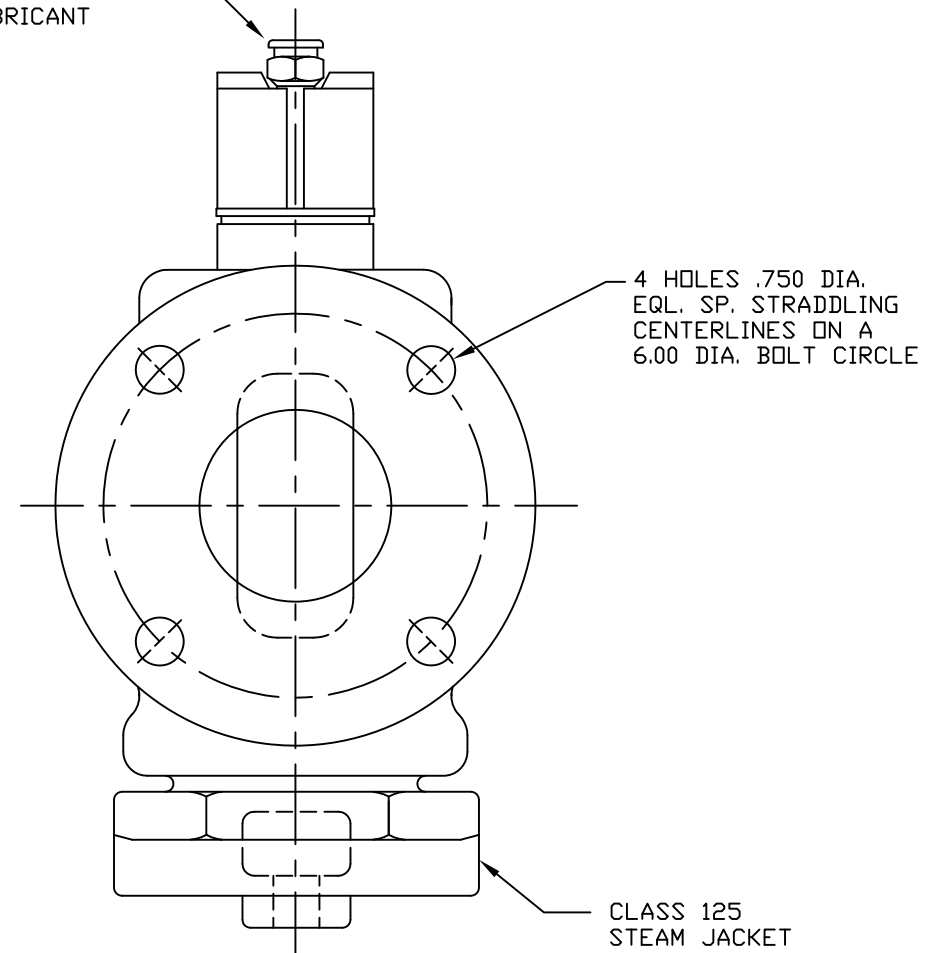
1. FACE-TO-FACE LENGTH CONFORMS TO ANSI B16.10 'FACE-TO-FACE AND END-TO-END DIMENSIONS OF VALVES', CLASS 125 CAST IRON PLUG VALVES, SHORT PATTERN.
2. FLANGES CONFORM TO ANSI B16.1 'CAST IRON PIPE FLANGES AND FLANGE FITTINGS', CLASS 125.



'L' WRENCH SOLD SEPARATELY



LUBE SCREW FOR STICK OR GUN LUBRICANT



NO.	PART NAME	MATERIAL
11	SEALANT	750S
10	LUBE SCREW	STEEL
9	CHECK VALVE	STEEL
8	O-RING	VITON
7	HEAD SEAL	PEEK
6	DISC	PTFE
5	DISC	STEEL
4	SPRING	STEEL
3	STEAM JACKET	ASTM A536 65-45-12
2	PLUG	ASTM A126 CL B
1	BODY	ASTM A126 CL B

PARTS LIST

HOMESTEAD VALVES
A DIVISION OF OLSON TECHNOLOGIES, INC.
160 WALNUT ST. ALLENTOWN, PA. 18102 (610) 770-1100

REV	ISSUE	BY	APPR	DATE	TITLE	NUMBER
D	S1706	TC		10/19/16	3" FIGURE 602SJ LUBRICATED PLUG VALVES	SK-2057
C	S1292	TC	DED	12/01/10		
B	S738	RAH	DED	11/18/06		
A	R503	HCS	RAH	4/20/99		
REV	ISSUE	BY	APPR	DATE		