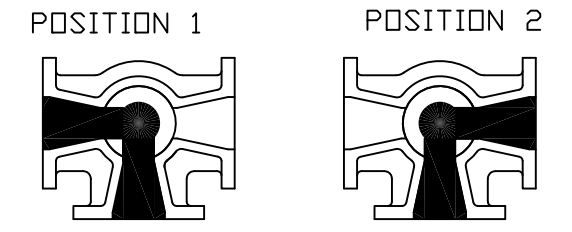
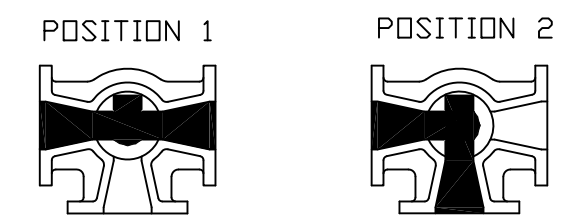


**ANSI CLASS 125, CAST IRON LUBRICATED PLUG VALVE  
GENERAL SPECIFICATIONS:**

1. FLANGES CONFORM TO ANSI B16.1 "CAST IRON PIPE FLANGES AND FLANGE FITTINGS", CLASS 125.
2. WRENCH SOLD SEPARATELY.
3. PART NUMBER 0604401030 (3-WAY, 2-PORT) INCLUDES A STOP RING  
PART NUMBER 0606401030 (3-WAY, 3-PORT) INCLUDES A STOP RING
4. ORDER SHALL INDICATE STYLE. SEE SK-2029 FOR "HOW TO ORDER" INSTRUCTIONS.

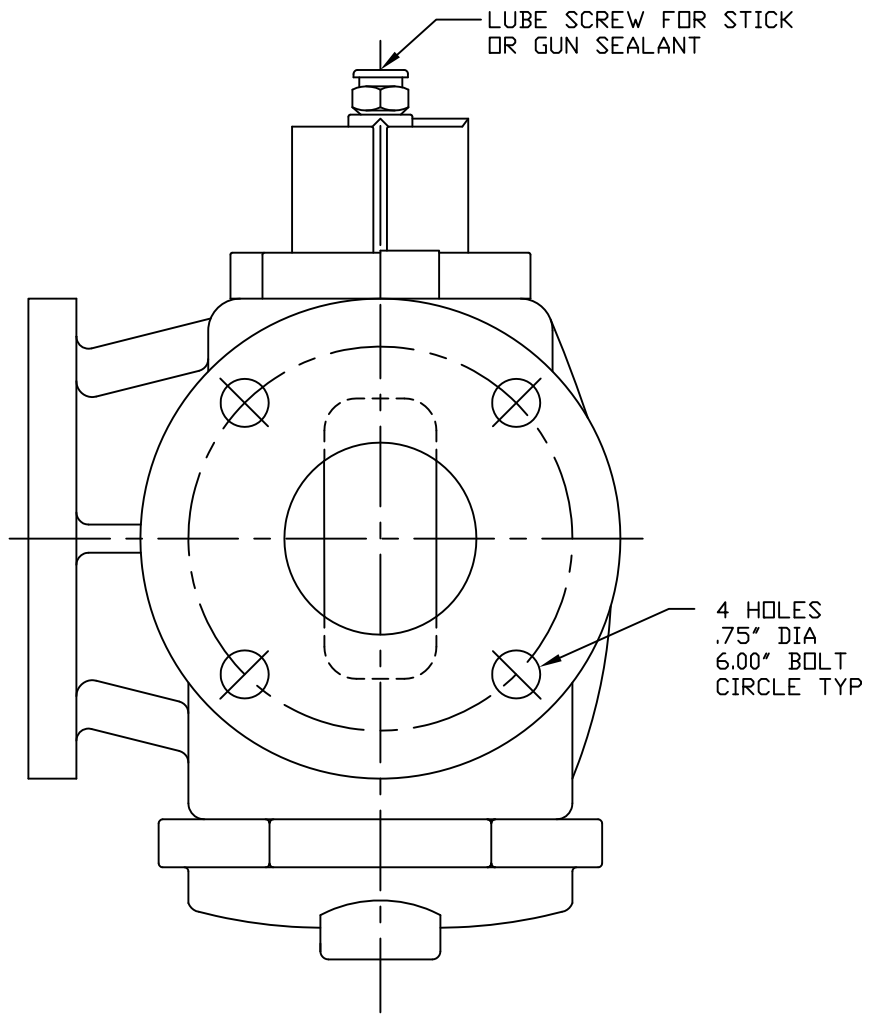
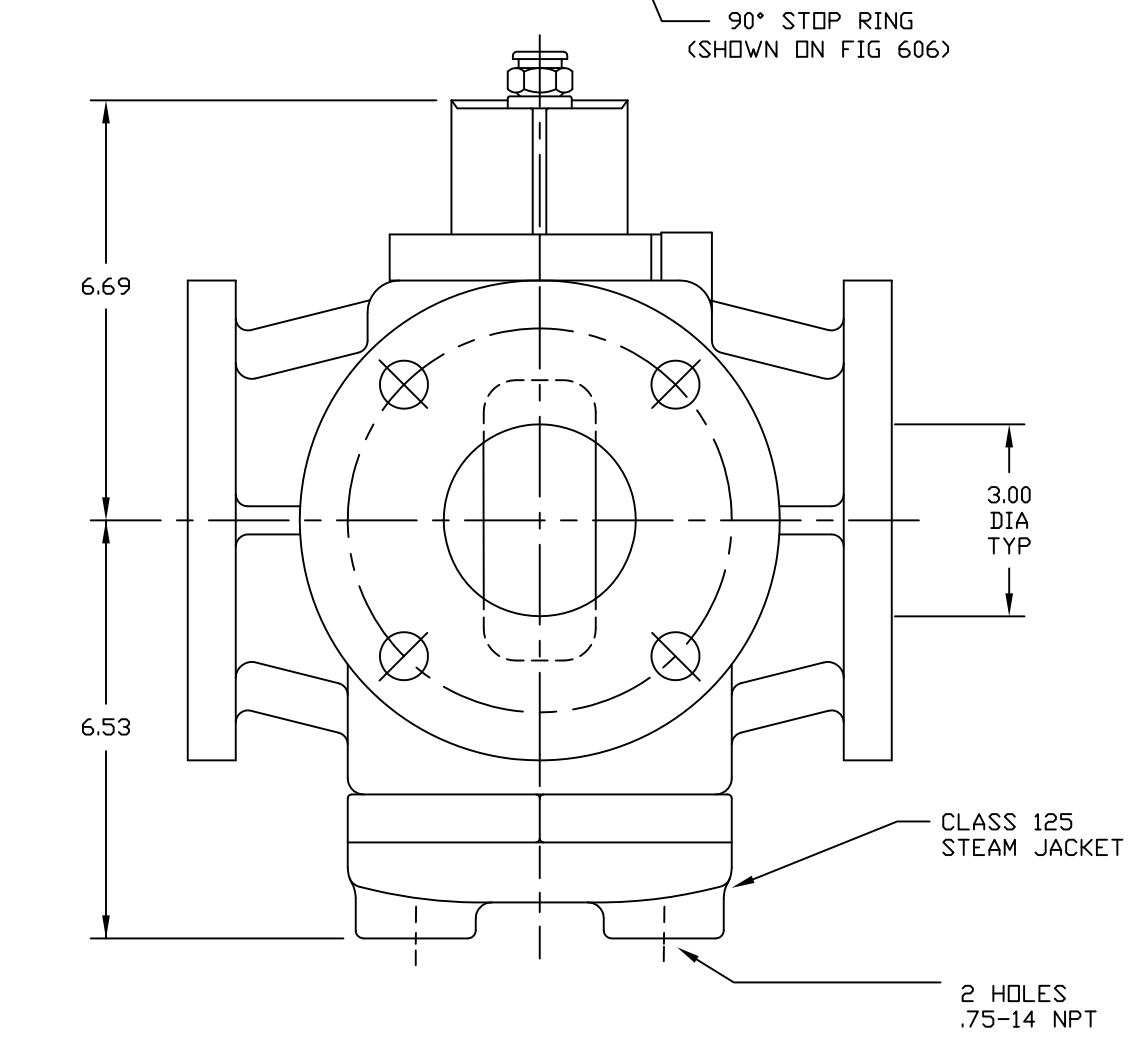


3-WAY, 2-PORT, 90° TURN  
FIG 604 STYLE A EXAMPLE



3-WAY, 3-PORT, 90° TURN  
FIG 606 STYLE F EXAMPLE

\*N\* WRENCH SOLD SEPARATELY WITHOUT PIPE HANDLE



13	SEALANT	750S
12	SET SCREW	STEEL
11	STOP-RING	A126 CL B
10	LUBE SCREW	STEEL
9	CHECK VALVE	STEEL
8	O RING	VITON
7	HEAD SEAL	PEEK
6	DISC	PTFE
5	DISC	STEEL
4	SPRING	STEEL
3	STEAM JACKET	A536 65-45-12
2	PLUG	A126 CL B
1	BODY	A126 CL B
NO.	PART NAME	MATERIAL

PARTS LIST					
HOMESTEAD VALVES					
A DIVISION OF OLSON TECHNOLOGIES, INC.					
160 WALNUT ST. ALLENTOWN, PA. 18102 (610) 770-1100					
				TITLE	
C	S1730	RAH	6/8/17	3" FIG 604SJ & 606SJ LUBRICATED PLUG VALVE	
B	R349	HCS TRS	9/98		
A	R330	HCS TRS	8/98		
REV	ISSUE	BY	APPR	DATE	NUMBER
					SK-2031