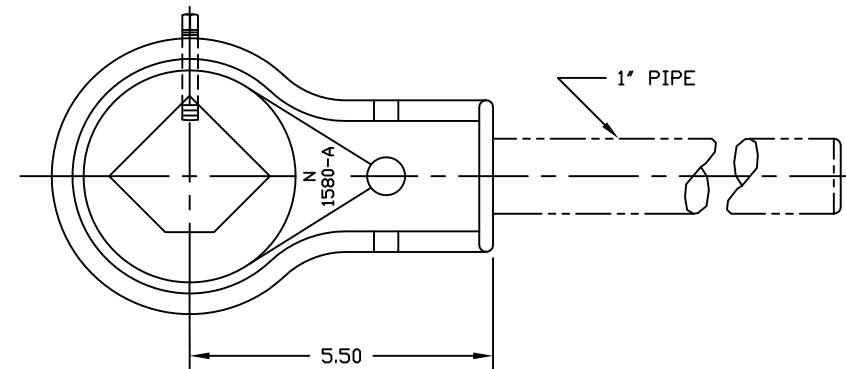
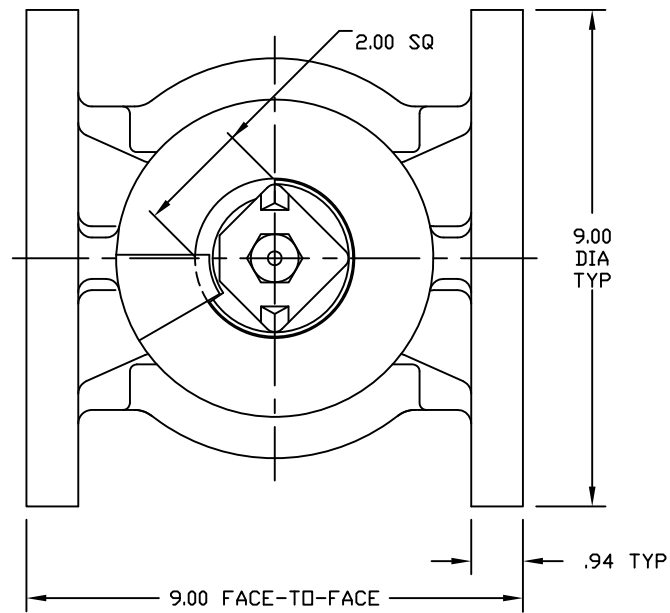


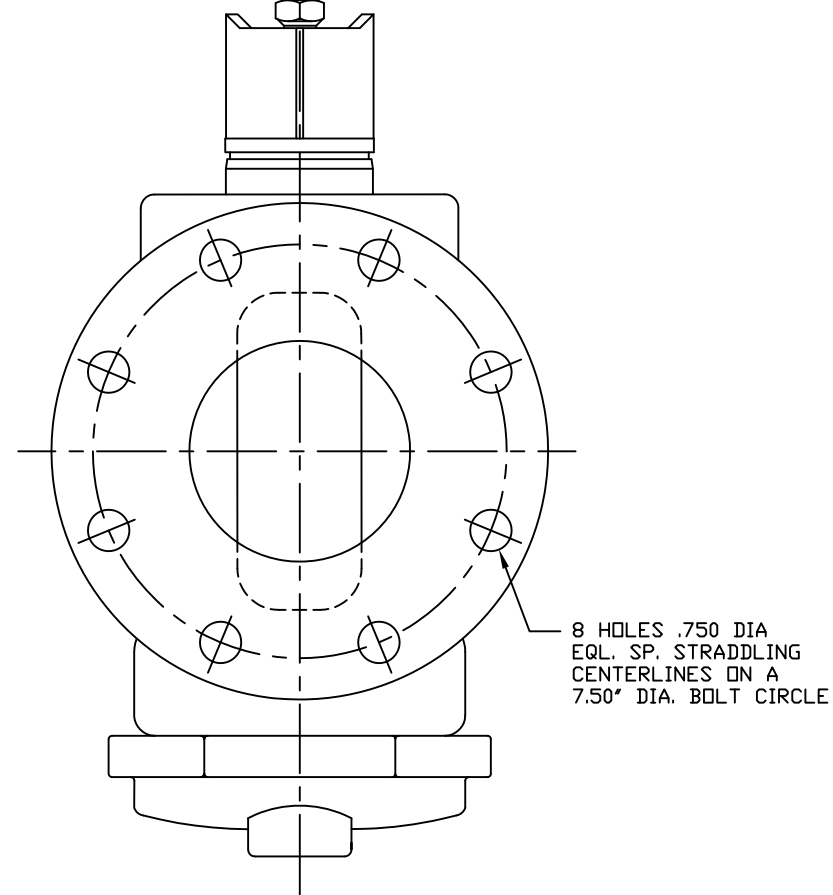
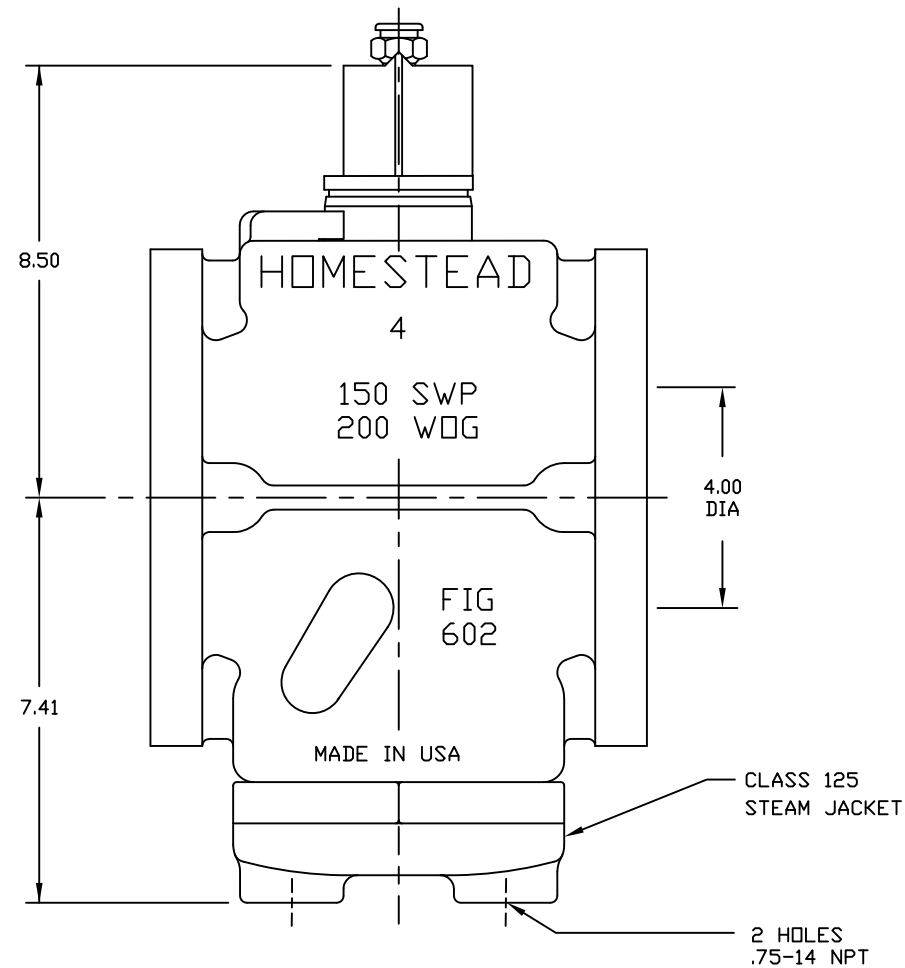
ANSI CLASS 125, CAST IRON LUBRICATED PLUG VALVE  
GENERAL SPECIFICATIONS:

1. FACE-TO-FACE LENGTH CONFORMS TO ANSI B16.10 'FACE-TO-FACE AND END-TO-END DIMENSIONS OF VALVES', CLASS 125 CAST IRON PLUG VALVES, SHORT PATTERN.
2. FLANGES CONFORM TO ANSI B16.1 'CAST IRON PIPE FLANGES AND FLANGE FITTINGS', CLASS 125.



'N' WRENCH SOLD SEPARATELY  
(WITHOUT PIPE HANDLE)

LUBE SCREW FOR STICK  
OR GUN SEALANT



11	SEALANT	750S
10	LUBE SCREW	STEEL
9	CHECK VALVE	STEEL
8	O RING	VITON
7	HEAD SEAL	PEEK
6	DISC	PTFE
5	DISC	STEEL
4	SPRING	STEEL
3	STEAM JACKET	ASTM A536 65-45-12
2	PLUG	ASTM A126 CL B
1	BODY	ASTM A126 CL B
NO.	PART NAME	MATERIAL

PARTS LIST

HOMESTEAD VALVES  
A DIVISION OF OLSON TECHNOLOGIES, INC.  
160 WALNUT ST. ALLENTOWN, PA. 18102 (610) 770-1100

REV	ISSUE	BY	APPR	DATE	TITLE
D	S1706	RAH		10/19/16	4" FIGURE 602SJ LUBRICATED PLUG VALVES
C	S1292	TC	DED	12/01/10	
B	R349	HCS	TRS	9/98	
A	R332	HCS	TRS	8/98	

NUMBER  
SK-2032