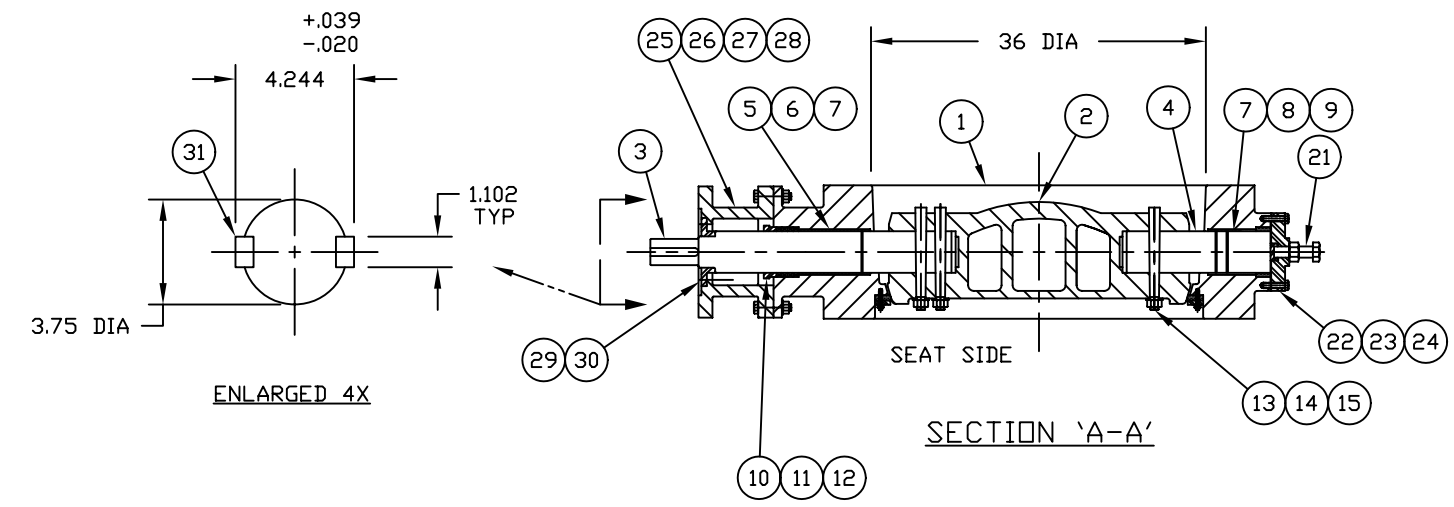
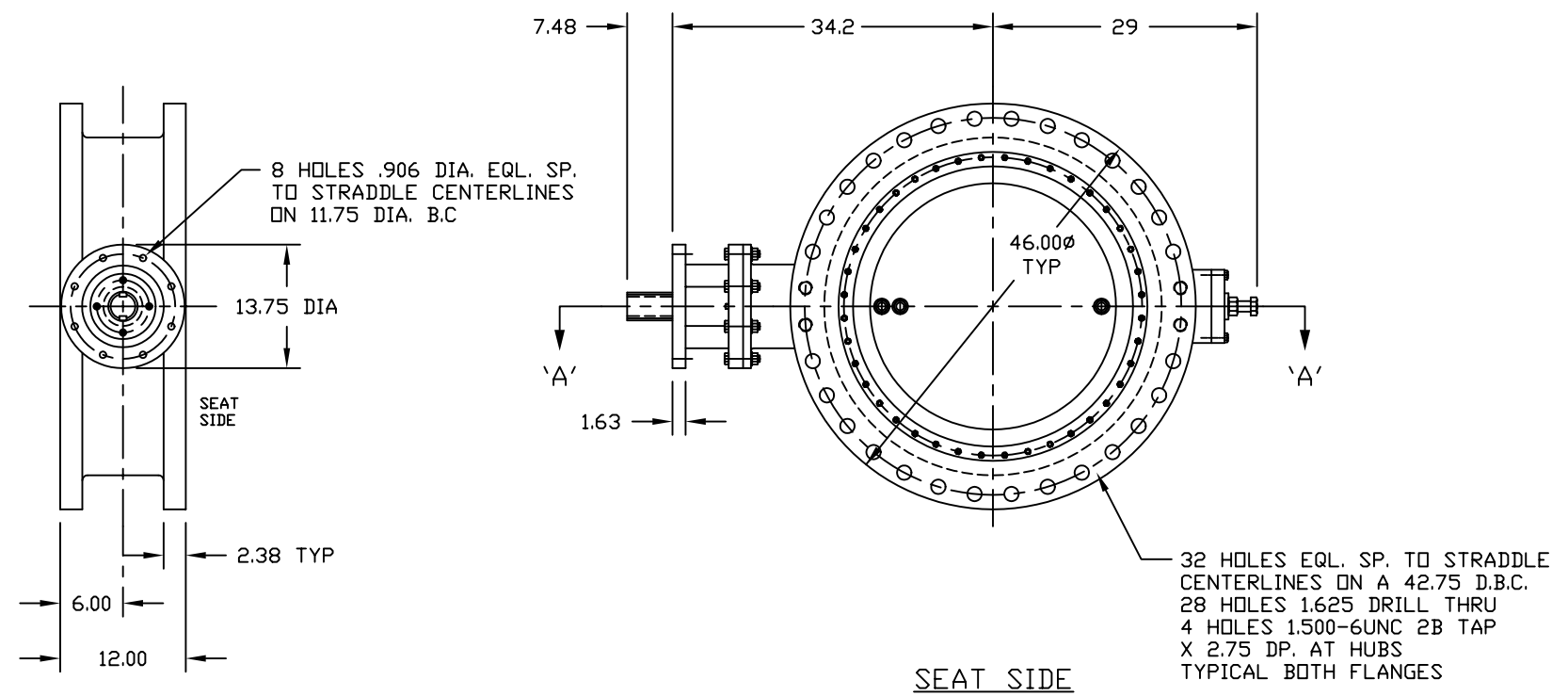


SEAT DETAIL



SECTION 'A-A'



SEAT SIDE

NOTES:

- HOMESTEAD SERIES 840 AWWA BUTTERFLY VALVE
GENERAL SPECIFICATIONS:
1. MANUFACTURED IN ACCORDANCE WITH AWWA C504, CLASS 150B, LATEST REVISION.
 2. FLANGES CONFORM TO ANSI B16.1 CAST IRON PIPE FLANGES AND FLANGE FITTINGS, CLASS 125.
 3. BODY AND DISC TO BE COATED WITH: "SCOTCHKOTE" 206N FUSION-BONDED EPOXY
 4. DIRECTION TO OPEN VALVE IS COUNTER-CLOCKWISE

NO.	PART NAME	MATERIAL
31	KEY	CARBON STEEL
30	SCREW	CARBON STEEL
29	THRUST PLATE	DUCTILE IRON
28	HEX NUT	CARBON STEEL
27	FLAT WASHER	CARBON STEEL
26	SCREW	CARBON STEEL
25	EXTENSION BONNET	DUCTILE IRON
24	SCREW	CARBON STEEL
23	SEAL	BUNA-N
22	BOTTOM COVER	DUCTILE IRON
21	THRUST ASSY	ADJUSTABLE
20	HEX NUT	TY304 SS
19	LOCK WASHER	TY304 SS
18	STUD	TY304 SS
17	SEAT CLAMP RING	TY316 SS
16	SEAT	BUNA-N
15	NUT	TY304 SS
14	WASHER	TY304 SS
13	DISC PIN	TY304 SS
12	HEX NUT	TY304 SS
11	STUD	TY304 SS
10	PACKING GLAND	DUCTILE IRON
9	PACKING	BUNA-N
8	BOTTOM BEARING	SELF LUBRICATING
7	O-RING	BUNA-N
6	PACKING	BUNA-N
5	TOP BEARING	SELF LUBRICATING
4	BOTT.SHAFT 3.75ø	TY316 SS
3	TOP SHAFT 3.75ø	TY316 SS
2	DISC	DUCTILE IRON
1	BODY	DUCTILE IRON

PARTS LIST

HOMESTEAD® VALVES
A DIVISION OF OLSON TECHNOLOGIES, INC.
160 WALNUT ST. ALLENTOWN, PA. 18102 (610) 770-1100

TITLE				NUMBER	
36" 150B SERIES 840 BFV ASSEMBLY W/BARE STEM				P-1089-007	
REV	ISSUE	BY	APPR	DATE	
A	S1075	DD		01/30/09	

This drawing and its design are the property of OLSON TECHNOLOGIES. This drawing is loaned to you subject to the condition that it shall not be reproduced, copied, lent or otherwise disposed of, directly or indirectly. It shall not be used to furnish any information for the making of drawings, prints, or apparatus, or parts thereof, except where otherwise specifically provided for by contract agreement with OLSON TECHNOLOGIES.