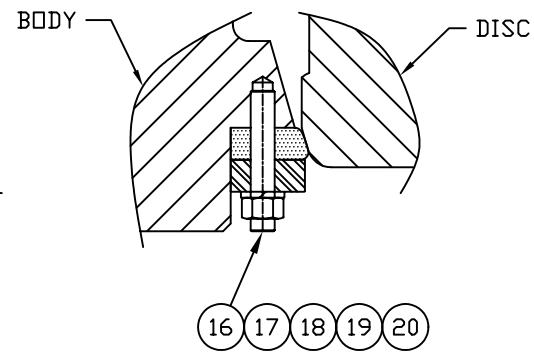
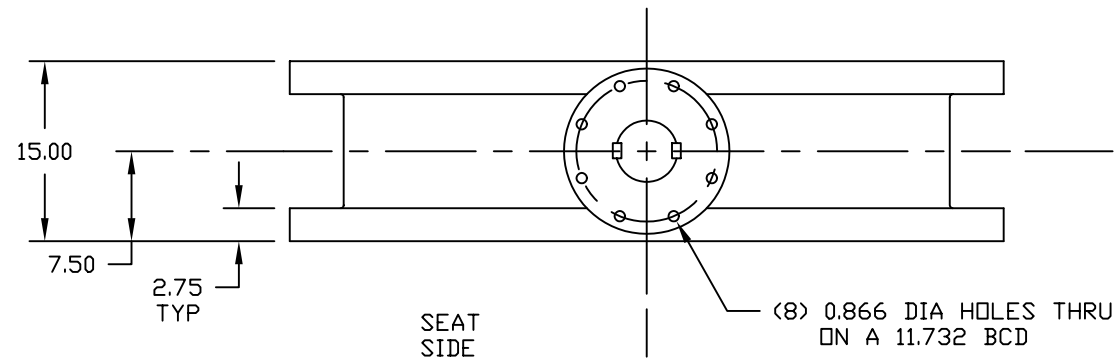


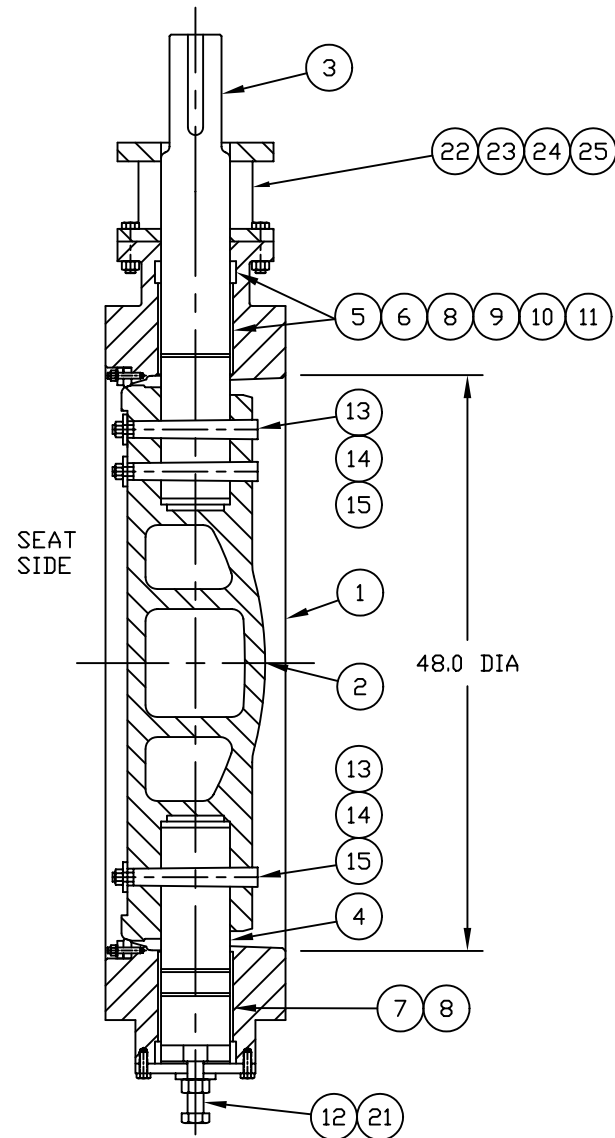
DISC OPERATION
VIEWED FROM ACTUATOR



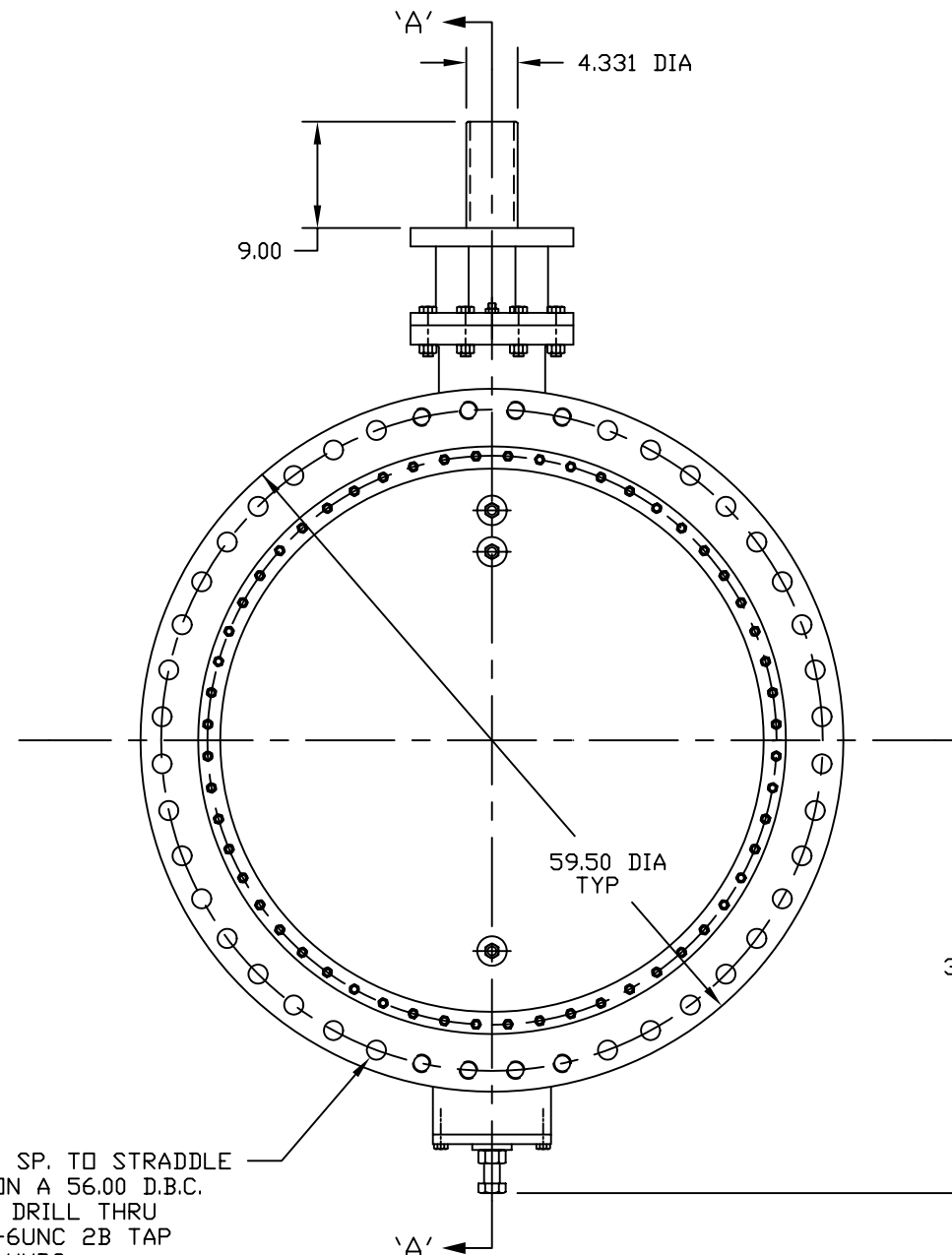
SEAT DETAIL



SEAT SIDE



SECTION 'A-A'



SEAT SIDE

44 HOLES EQL. SP. TO STRADDLE
CENTERLINES ON A 56.00 D.B.C.
36 HOLES 1.63 DRILL THRU
8 HOLES 1.500-6UNC 2B TAP
X 2.75 DP. AT HUBS
TYPICAL BOTH FLANGES

NOTES:

- HOMESTEAD SERIES 840 AWWA BUTTERFLY VALVE
GENERAL SPECIFICATIONS:
1. MANUFACTURED IN ACCORDANCE WITH AWWA C504, CLASS 150B, LATEST REVISION.
 2. FLANGES CONFORM TO ANSI B16.1 CAST IRON PIPE FLANGES AND FLANGE FITTINGS, CLASS 125.
 3. BODY AND DISC TO BE COATED WITH: "SCOTCHKOTE" 206N FUSION-BONDED EPOXY
 4. DIRECTION TO OPEN VALVE IS COUNTER-CLOCKWISE
 5. SEAT AVAILABLE IN NBR OR EPDM.

25	HEX NUT	316SS
24	FLAT WASHER	CARBON STEEL
23	SCREW	CARBON STEEL
22	EXTENSION BONNET	DUCTILE IRON
21	THRUST ASSY	ADJUSTABLE
20	HEX NUT	316SS
19	LOCK WASHER	316SS
18	STUD	316SS
17	SEAT RING	316SS
16	SEAT	SEE NOTE 5
15	NUT,HEX	316SS
14	WASHER	316SS
13	DISC PIN	316SS
12	O-RING	NBR
11	NUT,HEX	316SS
10	STUD	316SS
9	PACKING RING	AL-BZ
8	O-RING	NBR
7	BOTTOM BEARING	AL-BZ
6	PACKING	NBR
5	TOP BEARING	AL-BZ
4	BOTT.SHAFT	316SS
3	TOP SHAFT	316SS
2	DISC	DUCTILE IRON/316SS
1	BODY	DUCTILE IRON
NO.	PART NAME	MATERIAL

PARTS LIST

HOMESTEAD[®] VALVES
A DIVISION OF OLSON TECHNOLOGIES, INC.
160 WALNUT ST. ALLENTOWN, PA. 18102 (610) 770-1100

TITLE				48" 150B SERIES 840
				BFV ASSEMBLY
				W/BARE STEM
A	S1389	DD	01/13/12	NUMBER
REV	ISSUE	BY	APPR	DATE
				P-1089-010