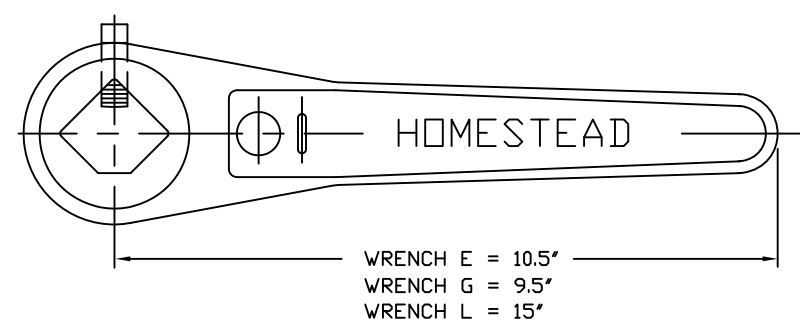
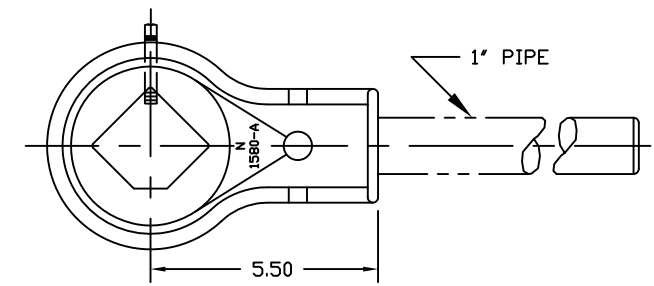
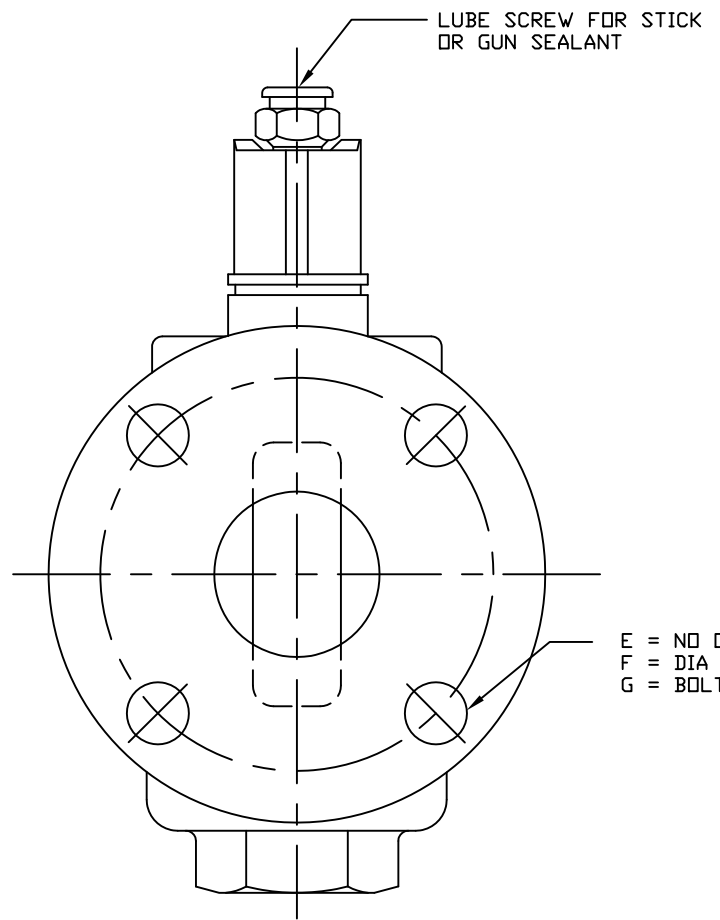
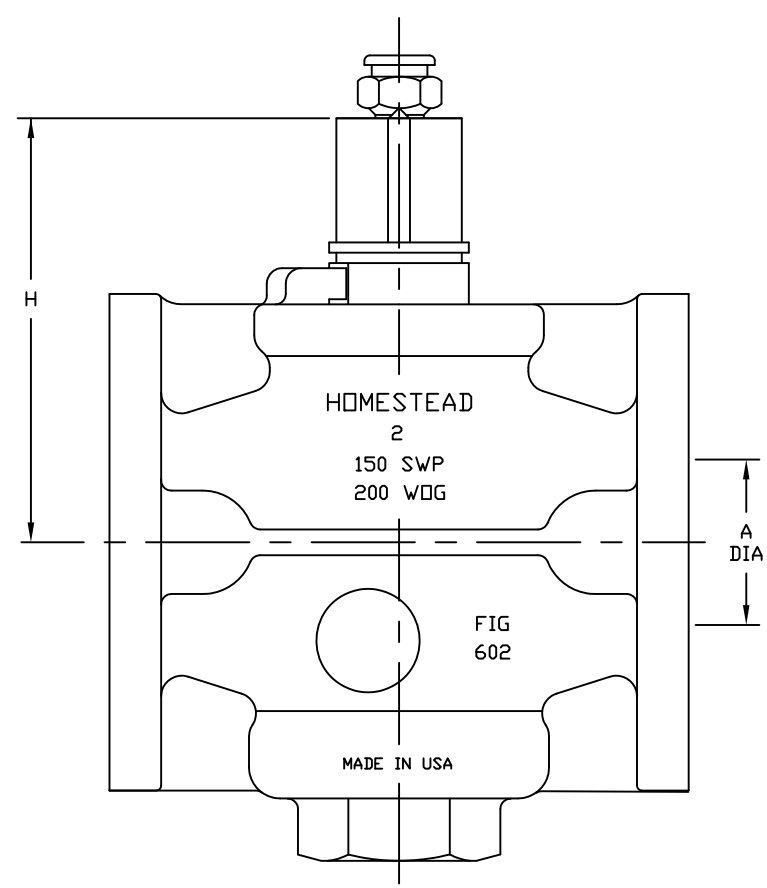


TABLE OF DIMENSIONS												
VALVE SIZE	PART NO.	CWP	A	B	C	D	E	F	G	H	I	WRENCH
1	0602009010	200	1.00	4.25	.44	5.50	4	.62	3.12	4.06	.91	G
1.25	0602009012	200	1.25	4.62	.50	6.00	4	.62	3.50	4.75	.91	G
1.50	0602009014	200	1.50	5.00	.56	6.50	4	.62	3.88	4.75	.91	G
2	0602001020	200	2.00	6.00	.62	7.00	4	.75	4.75	5.88	1.22	E
2.50	0602001024	200	2.50	7.00	.69	7.50	4	.75	5.50	6.16	1.22	E
3	0602001030	200	3.00	7.50	.75	8.00	4	.75	6.00	7.28	1.50	L
4	0602001040	200	4.00	9.00	.94	9.00	8	.75	7.50	8.50	2.00	N
5	0602001050	200	5.00	10.00	.94	10.00	8	.88	8.50	9.44	2.00	N
6	0602001060	200	6.00	11.00	1.00	10.50	8	.88	9.50	10.22	2.00	N



ANSI CLASS 125, CAST IRON LUBRICATED PLUG VALVE
GENERAL SPECIFICATIONS:

- FACE-TO-FACE LENGTH CONFORMS TO ANSI B16.10, "FACE TO FACE AND END-TO-END DIMENSIONS OF FERROUS VALVES", CLASS 125 CAST IRON PLUG VALVES, SHORT PATTERN, EXCEPT 1.25" VALVE.
- FLANGES CONFORM TO ANSI B16.1, "CAST IRON PIPE FLANGES AND FLANGE FITTINGS", CLASS 125.
- ALL SIZES ARE AVAILABLE AS UL LISTED.
- SIZES 1" THRU 4" ARE AVAILABLE AS CSA APPROVED.
- WRENCHES SOLD SEPARATELY.



*N" WRENCH SOLD SEPARATELY WITHOUT PIPE HANDLE

NO.	PART NAME	MATERIAL
11	SEALANT	AS APPLICABLE
10	LUBE SCREW	STEEL
9	CHECK VALVE	STEEL
8	O-RING	VITON
7	HEAD SEAL	PTFE
6	DISC	PTFE
5	DISC	STEEL
4	SPRING	STEEL
3	BONNET	A126 CL B
2	PLUG	A126 CL B
1	BODY	A126 CL B

PARTS LIST

HOMESTEAD® VALVES
A DIVISION OF OLSON TECHNOLOGIES, INC.
160 WALNUT ST. ALLENTOWN, PA. 18102 (610) 770-1100

REV	ISSUE	BY	APPR	DATE	TITLE
C	S1582	RAH		3/25/14	FIG 602 LUBRICATED PLUG VALVES
B	S068	HCS	DED	6/28/01	
A	R318	HCS	DED	7/4/98	

NUMBER
SK-2019