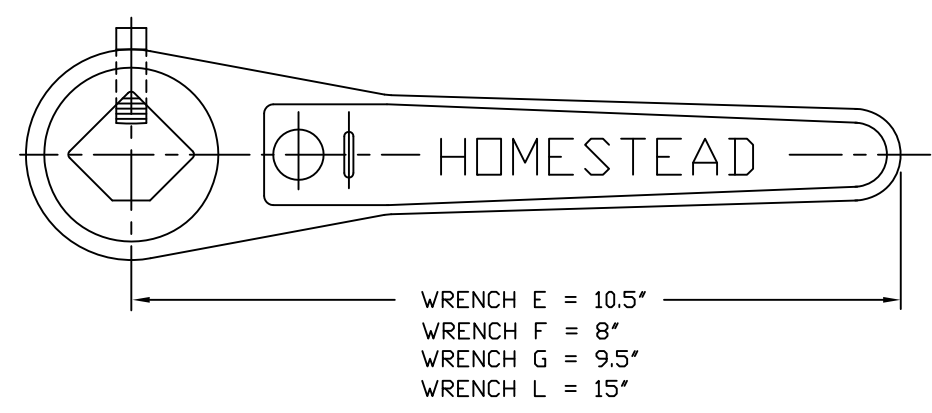
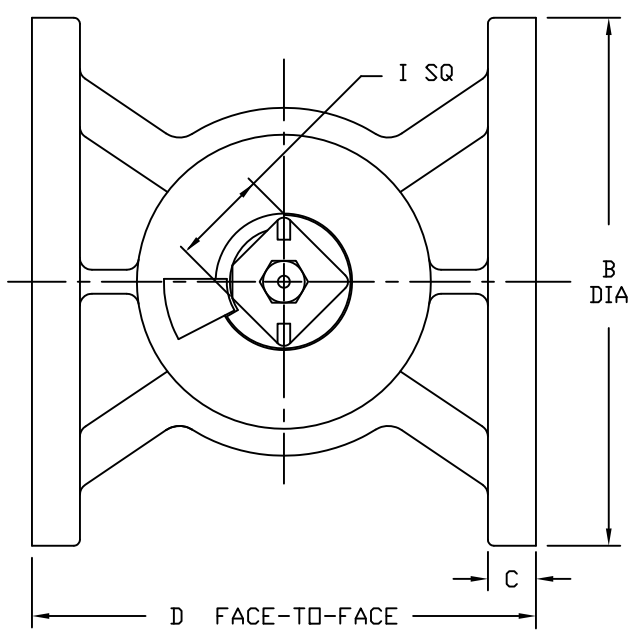
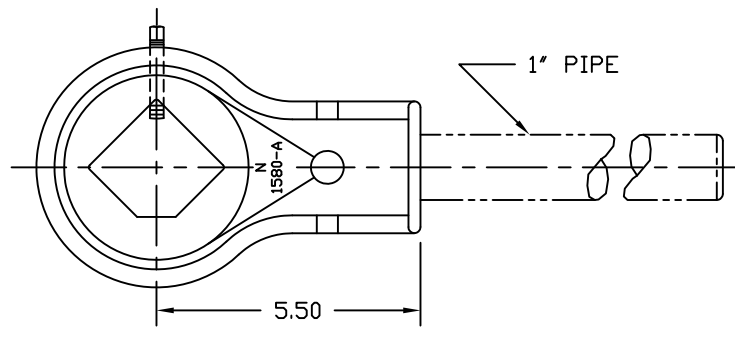


TABLE OF DIMENSIONS																
VALVE SIZE	PART NO.	CWP	A	B	C	D	E	F	G	H	I	J	K	L	M	WRENCH
1	0612009010	200	1.00	4.25	.44	5.50	4	.62	3.12	3.75	.78	-	-	-	5.062	F
1.25	0612009012	200	1.25	4.62	.50	6.00	4	.62	3.50	4.00	.91	-	-	-	5.500	G
1.50	0612009014	200	1.50	5.00	.56	6.50	4	.62	3.88	4.25	.91	-	-	-	5.937	G
2	0612009020	200	2.00	6.00	.62	7.00	4	.75	4.75	4.75	.91	.250	3.125	.625	-	G
2.50	0612001024	200	2.50	7.00	.69	7.50	4	.75	5.50	6.00	1.22	-	-	-	6.812	E
3	0612001030	200	3.00	7.50	.75	8.00	4	.75	6.00	6.25	1.22	-	-	-	7.250	E
4	0612001040	200	4.00	9.00	.94	9.00	8	.75	7.50	7.25	1.50	.500	4.250	.875	-	L
5	0612001050	200	6.00	10.00	1.00	10.50	8	.88	8.50	8.50	2.00	.750	5.250	.875	-	N
6	0612001060	200	6.00	11.00	1.00	10.50	8	.88	9.50	8.50	2.00	.750	5.250	.875	-	N
8	0612001080	200	8.00	13.50	1.12	11.50	8	.88	11.75	10.00	2.00	.750	7.250	1.468	-	N

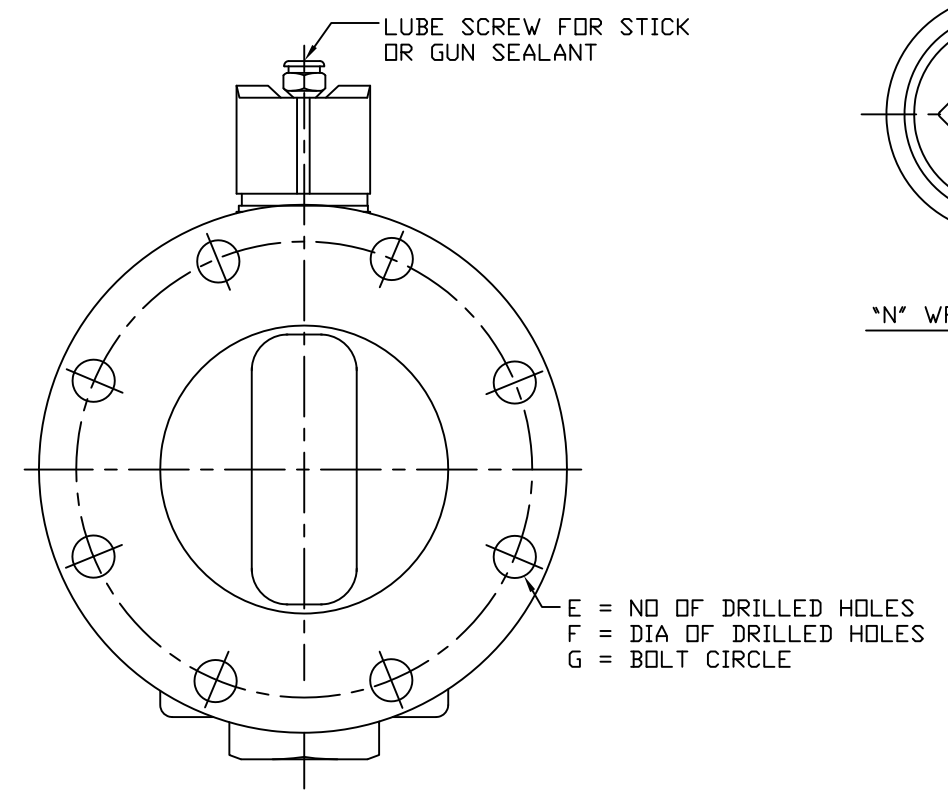
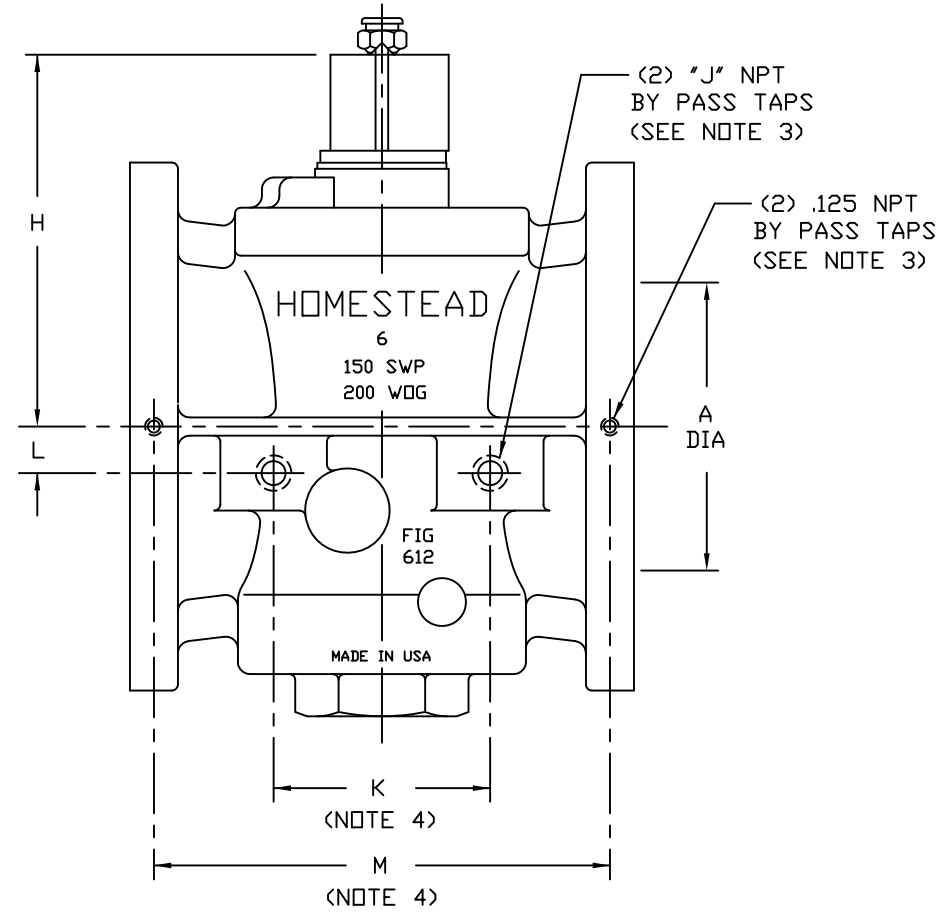


ANSI CLASS 125, CAST IRON LUBRICATED PLUG VALVE  
GENERAL SPECIFICATIONS:

- FACE-TO-FACE LENGTH CONFORMS TO ANSI B16.10, "FACE TO FACE AND END-TO-END DIMENSIONS OF FERROUS VALVES", CLASS 125 CAST IRON PLUG VALVES, SHORT PATTERN, EXCEPT 1.25" AND 5" VALVES.
- FLANGES CONFORM TO ANSI B16.1 "CAST IRON PIPE FLANGES AND FLANGE FITTINGS", CLASS 125.
- BYPASS AND DRAIN CONNECTIONS, WHEN SPECIFIED, CONFORM TO MSS SP-45, "BYPASS AND DRAIN CONNECTIONS".
- SIZES 2" THRU 6" ARE AVAILABLE AS UL LISTED.
- SIZES 1" THRU 8" ARE AVAILABLE AS CSA APPROVED.
- WRENCHES SOLD SEPARATELY.



\*N\"/>



NO.	PART NAME	MATERIAL
11	SEALANT	AS APPLICABLE
10	LUBE SCREW	STEEL
9	CHECK VALVE	STEEL
8	O-RING	VITON
7	HEAD SEAL	PTFE
6	DISC	PTFE
5	DISC	STEEL
4	SPRING	STEEL
3	BONNET	A126 CLASS B
2	PLUG	A126 CLASS B
1	BODY	A126 CLASS B

PARTS LIST				
HOMESTEAD® VALVES				
A DIVISION OF OLSON TECHNOLOGIES, INC.				
160 WALNUT ST. ALLENTOWN, PA. 18102 (610) 770-1100				
REV	ISSUE	BY	APPR	DATE
C	S1582	RAH		3/25/14
B	S047	HCS	DED	6/28/01
A	R318	HCS	DED	11/22/99
TITLE				FIG 612
LUBRICATED PLUG VALVES				NUMBER
				SK-2035