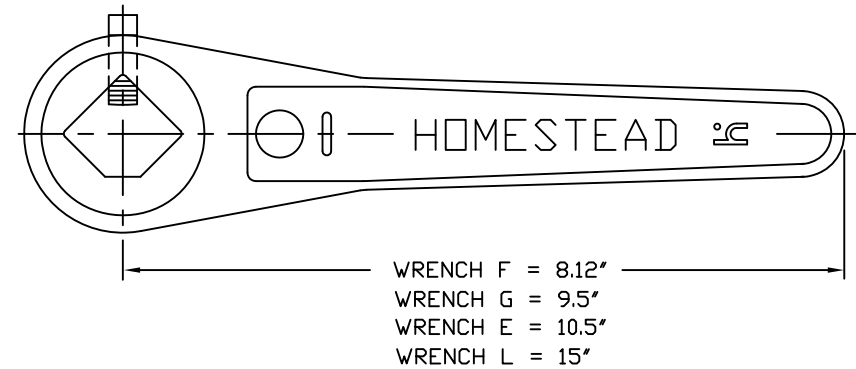
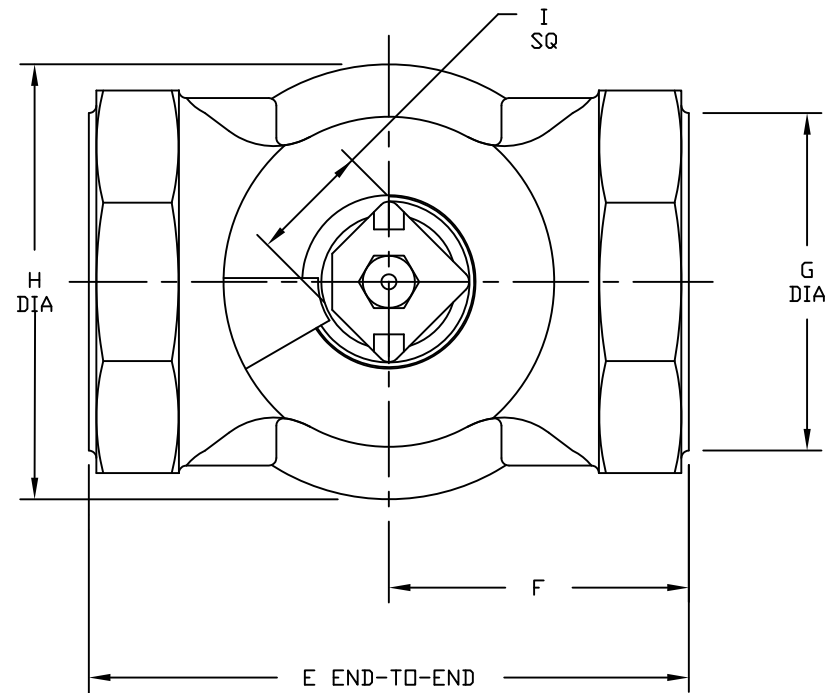


TABLE OF DIMENSIONS (INCHES)

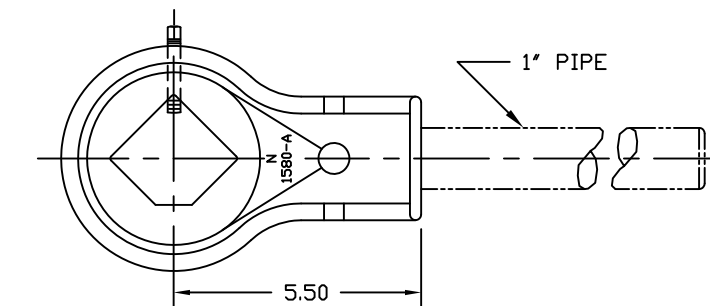
VALVE SIZE	PART NO.	CWP (psi)	A	B	C	D	E	F	G	H	I	J	WRENCH	WEIGHT (lbs)
.500	0601009004	200	.500	1.812	2.594	2.812	3.750	1.875	1.500	2.062	.781	2.00	F	4.25
.750	0601009006	200	.750	1.812	2.594	2.812	3.750	1.875	1.500	2.062	.781	2.00	F	4.25
1.000	0601009010	200	1.000	2.125	2.656	3.312	4.250	2.125	1.938	2.624	.906	2.38	G	5.50
1.250	0601009012	200	1.250	2.562	3.375	4.000	5.000	2.500	2.000	3.125	.906	2.75	G	9.00
1.500	0601009014	200	1.500	2.812	3.375	4.000	5.000	2.500	2.250	3.125	.906	3.12	G	9.75
2.000	0601001020	200	2.000	3.500	3.906	5.125	6.000	3.000	2.719	4.375	1.219	3.44	E	17.00
2.500	0601001024	200	2.500	4.250	4.188	5.406	6.750	3.375	3.375	4.250	1.219	3.75	E	25.50
3.000	0601001030	200	3.000	5.000	5.156	6.531	7.625	3.812	4.250	6.000	1.500	5.00	L	40.00
4.000	0601001040	200	4.000	6.375	6.031	7.750	10.000	5.000	5.625	7.250	2.000	5.38	N	73.00



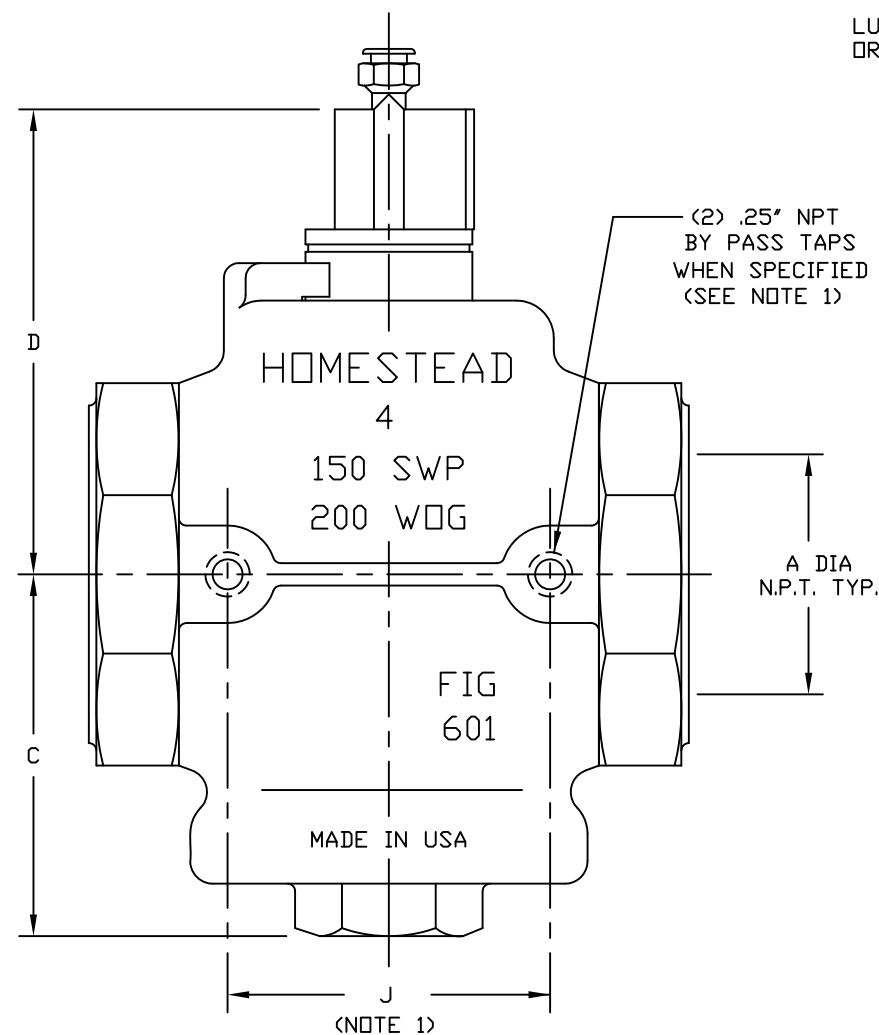
ANSI CLASS 125, CAST IRON LUBRICATED PLUG VALVE

GENERAL SPECIFICATIONS:

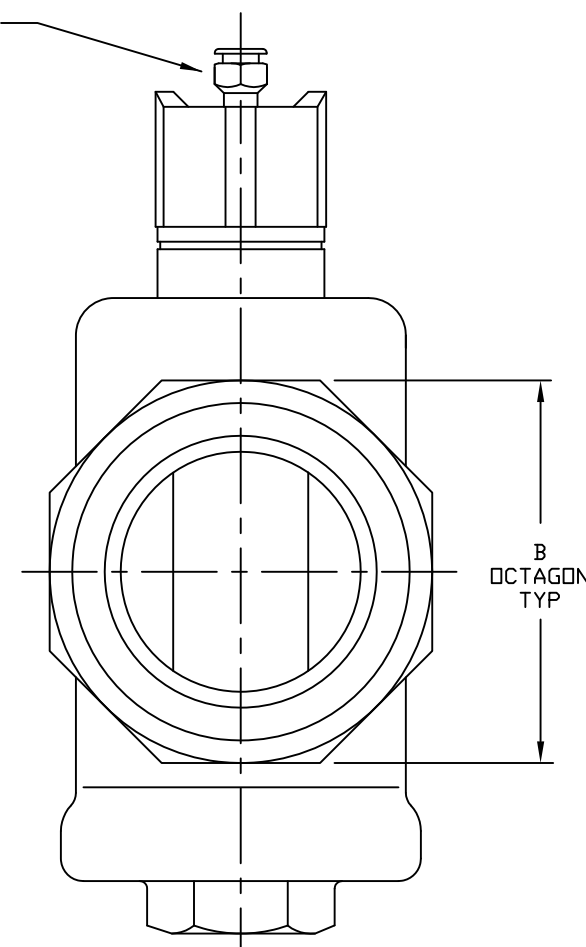
1. OTHER TAP SIZES AVAILABLE UPON CUSTOMER REQUEST
2. ALL SIZES ARE AVAILABLE AS UL LISTED.
3. SIZES 1/2" THRU 4" ARE AVAILABLE AS CSA APPROVED.
4. SIZES 1/2" THRU 3" ARE AVAILABLE AS FM APPROVED, SEE SK-2086.
5. WRENCHES SOLD SEPARATELY.



"N" WRENCH SOLD SEPARATELY WITHOUT PIPE HANDLE



LUBE SCREW FOR STICK OR GUN SEALANT



NO.	PART NAME	MATERIAL
11	SEALANT	650S
10	LUBE SCREW	STEEL
9	CHECK VALVE	STEEL
8	O-RING	VITON
7	HEAD SEAL	PTFE
6	DISC	PTFE
5	DISC	STEEL
4	SPRING	STEEL
3	BONNET	A126 CLASS B
2	PLUG	A126 CLASS B
1	BODY	A126 CLASS B

PARTS LIST

HOMESTEAD® VALVES
A DIVISION OF OLSON TECHNOLOGIES, INC.
160 WALNUT ST. ALLENTOWN, PA. 18102 (610) 770-1100

REV	ISSUE	BY	APPR	DATE	TITLE
E	S1727	RAH		4/13/17	FIG 601 LUBRICATED PLUG VALVES
D	S1582	RAH	DM	3/25/14	
C	S793	RAH	DED	5/10/06	
B	S004	HCS	DED	4/19/01	

NUMBER SK-2047