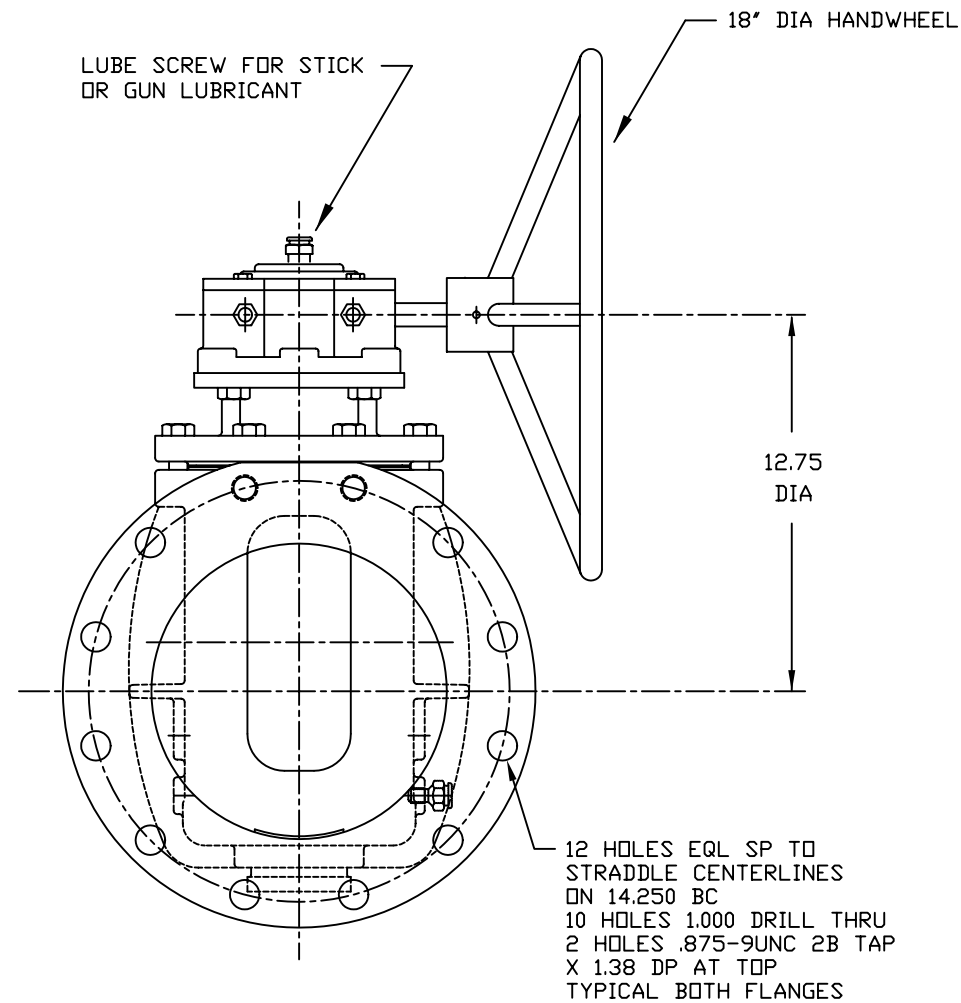
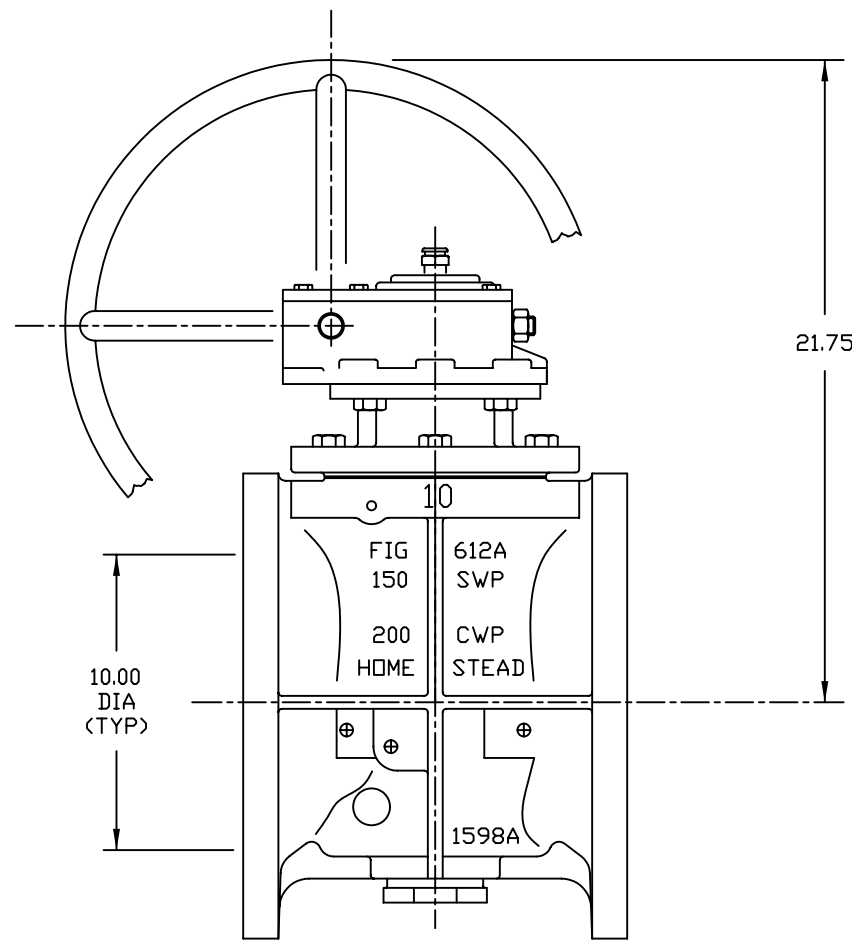


VALVE TYPE:
 CLASS 125, CAST IRON LUBRICATED PLUG VALVE
GENERAL SPECIFICATIONS:

1. FLANGES CONFORM TO ANSI B16.1 "CAST IRON PIPE FLANGES AND FLANGE FITTINGS," CLASS 125.

NOTES:

1. VALVE SHOWN IN CLOSED POSITION
2. ROTATION TO OPEN POSITION IS COUNTER-CLOCKWISE.



18	GEAR WITH HANDWHEEL	COMMERCIAL
17	KEY	STEEL
16	CAPSCREW	STEEL
15	SEAL	NITRILE
14	SEALANT	650S
13	LUBE FITTING	STEEL
12	LUBE SCREW	STEEL
11	CHECK VALVE	STEEL
10	O-RING	VITON
9	HEAD SEAL	PTFE
8	DISC	PTFE
7	DISC	STEEL
6	SPRING	STEEL
5	CAPSCREW	STEEL
4	ADAPT-O-CAP	A126 CL B
3	BONNET	A126 CL B
2	PLUG	A126 CL B
1	BODY	A126 CL B
NO.	PART NAME	MATERIAL

PARTS LIST			
HOMESTEAD VALVES			
A DIVISION OF OLSON TECHNOLOGIES, INC.			
160 WALNUT ST. ALLENTOWN, PA. 18102 (610) 770-1100			
TITLE		NUMBER	
10" FIG 612G		SK-2173	
LUBRICATED PLUG VALVE			
A	S1369	RH	10/25/11
REV	ISSUE	BY	APPR DATE