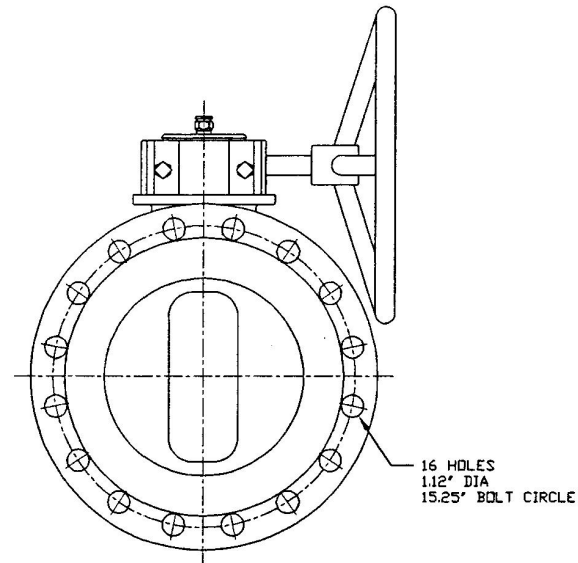
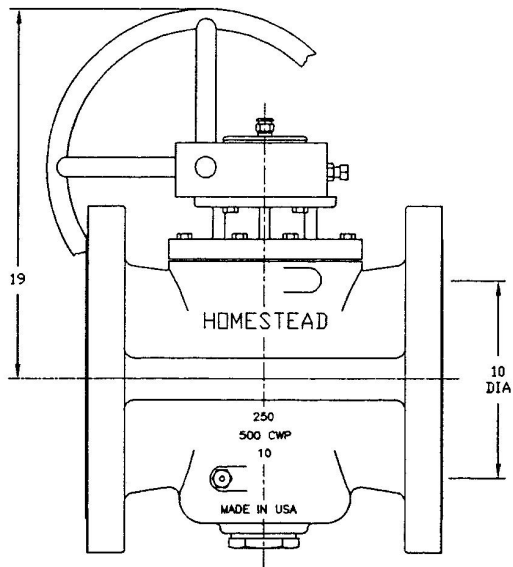
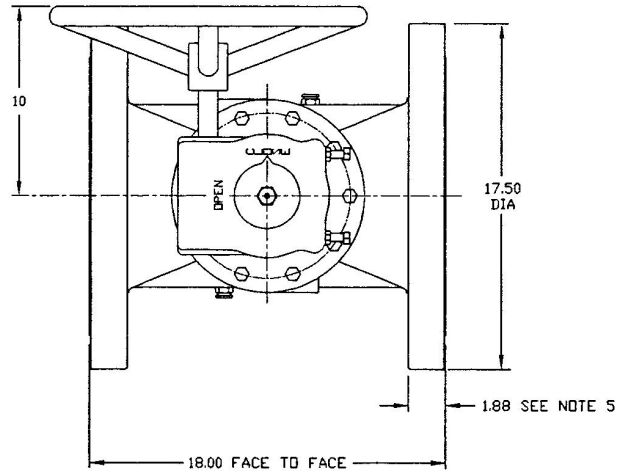


SK-2005



ANSI CLASS 250, CAST IRON LUBRICATED PLUG VALVE WITH GEAR AND HANDWHEEL

GENERAL SPECIFICATIONS:

1. CONFORMS TO MSS SP-78, "CAST IRON PLUG VALVES FLANGED AND THREADED ENDS", CLASS 250 (500 CWP), TYPE IV CYLINDRICAL PLUGS.
2. FACE-TO-FACE LENGTH CONFORMS TO ANSI B16.10 FACE-TO-FACE AND END-TO-END DIMENSIONS OF FERROUS VALVES, CLASS 250 CAST IRON PLUG VALVES, VENTURI PATTERN.
3. FLANGES CONFORM TO ANSI B16.1 "CAST IRON PIPE FLANGES AND FLANGE FITTINGS", CLASS 250.
4. BYPASS AND DRAIN CONNECTIONS, WHEN SPECIFIED, CONFORM TO MSS-45, "BYPASS AND DRAIN CONNECTIONS".
5. FACE-TO-FACE INCLUDES .06" RAISED FACES.
6. VALVE PORT AREA IS 40% OF PIPE STANDARD AREA.
7. FIG 712G1 VALVES HAVE GEARS SIZED FOR APPLICATIONS UP TO 250 PSI.
8. PART NUMBER 0712601100.

19	GEAR WITH HANDWHEEL	COMMERCIAL
18	KEY	STEEL
17	CAPSCREW	STEEL
16	SEALANT	650S
15	LUBE FITTING	STEEL
14	LUBE SCREW	STEEL
13	CHECK VALVE	STEEL
12	O-RING	VITON
11	SEAL	COPPER
10	DISC	PTFE
9	DISC	STEEL
8	SPRING	STEEL
7	HEADSEAL	PTFE
6	SEAL	NITRILE
5	CAPSCREW	STEEL
4	ADAPT-O-CAP	A126 CL B
3	BONNET	A126 CL B
2	PLUG	A126 CL B
1	BODY	A126 CL B
NO.	PART NAME	MATERIAL

PARTS LIST

HOMESTEAD VALVES
 A DIVISION OF OLSON TECHNOLOGIES, INC.
 160 WALNUT ST. ALLENTOWN, PA. 18102 (610) 770-1100

				TITLE	
				10" FIG 712G1	
				LUBRICATED PLUG VALVE	
B	R296	HCS	5/98	NUMBER	
A	R266	HCS	3/98	NUMBER	
REV	ISSUE	BY	APPR	DATE	

SK-2005