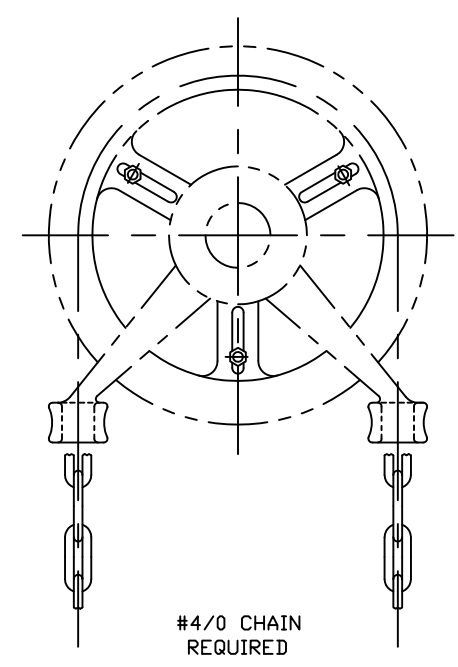
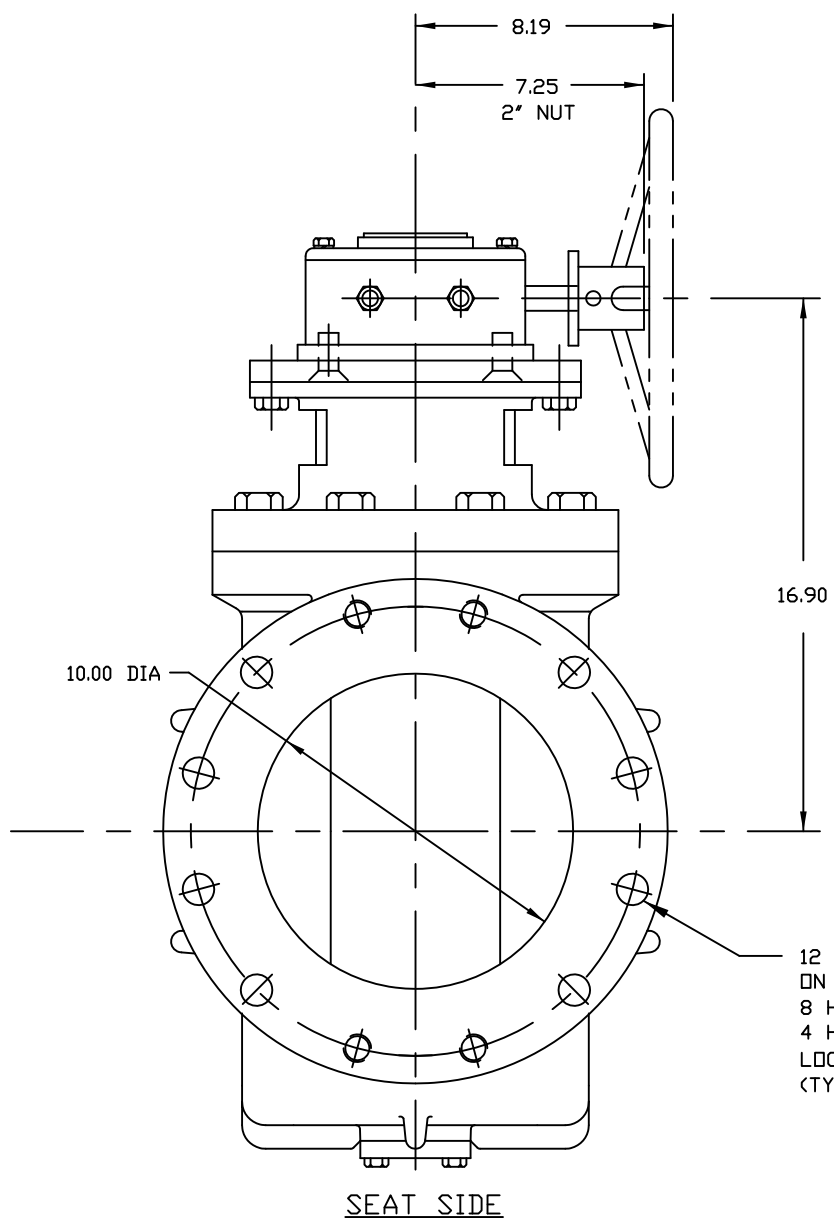
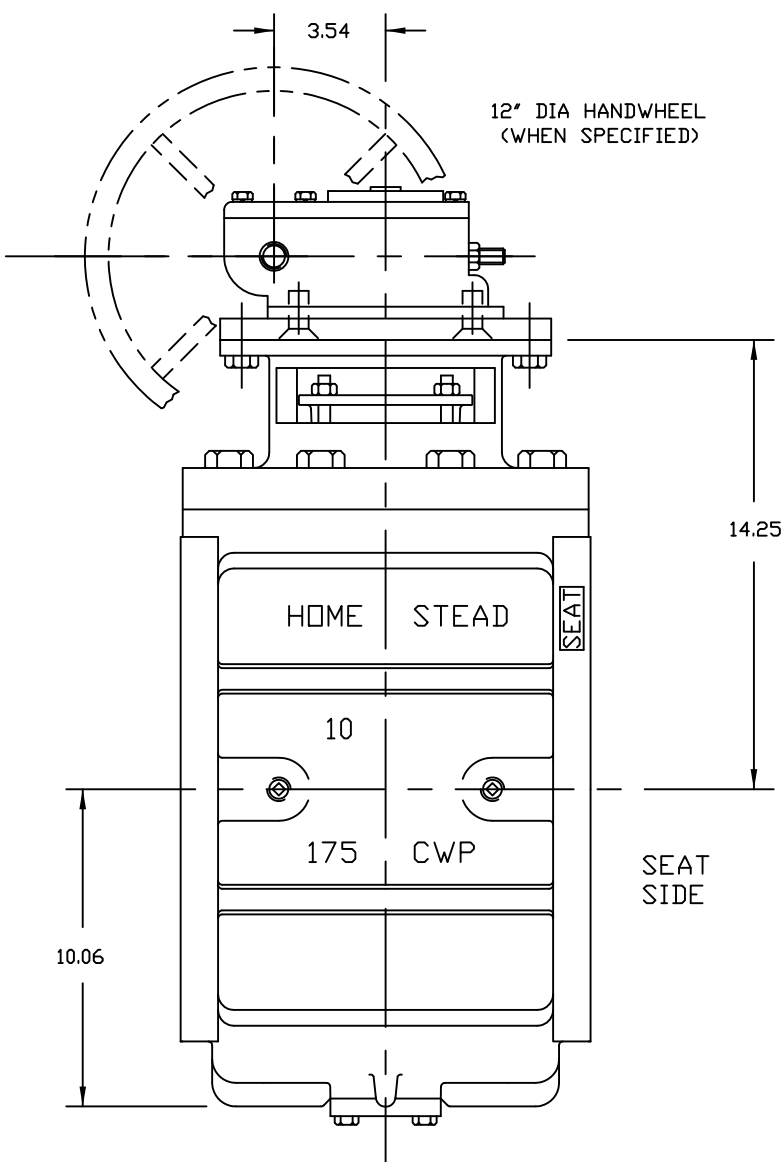


- NOTES:**
- VALVES ARE MANUFACTURED IN ACCORDANCE WITH ANSI/AWWA C517-09, "RESILIENT-SEATED CAST IRON ECCENTRIC PLUG VALVES" LATEST REV.
  - END FLANGE DIMENSIONS AND DRILLING ARE IN ACCORDANCE WITH ASME/ANSI B16.1, CLASS 125 FOR CAST IRON PIPE FLANGES AND FLANGE FITTINGS.
  - PAINT: BLUE - SEMI-GLOSS METAL PRIMER
  - WEIGHTS: VALVE - 468 LBS GEAR - 32 LBS
  - ELASTOMERS AVAILABLE: BUNA-N  
EPDM  
NEOPRENE  
VITON



23	CHAINWHEEL ASSY	WHEN SPECIFIED
22	PIPE PLUG	A126 CLB
21	KEY	STEEL
20	GEAR	COMMERCIAL
19	CAP SCREW	STEEL, ZINC PLATED
18	CAPSCREW	STEEL, ZINC PLATED
17	GASKET	NITRILE
16	CAPSCREW	STEEL, ZINC PLATED
15	SEAL	SEE NOTE 5
14	BOTTOM PLATE	A126 CLB
13	SEAL	SEE NOTE 5
12	HEX NUT	STEEL, ZINC PLATED
11	STUD	STEEL, ZINC PLATED
10	PACKING GLAND	A126 CLB
9	PACKING	V-RING, SEE NOTE 5
8	RADIAL BEARING	PERM, LUBRICATED 316SS
7	THRUST BEARING	PTFE
6	THRUST BEARING	PTFE
5	RADIAL BEARING	PERM, LUBRICATED 316SS
4	CAPSCREW	STEEL, ZINC PLATED
3	MTG BRACKET	A126 CLB
2	PLUG	A536 65-45-12/NOTE 5
1	BODY	A126 CLB/NICKEL SEAT
NO.	PART NAME	MATERIAL

12 HOLES EQ. SP. TO STRADDLE  $\phi$   
ON 14.250" DIA B.C.  
8 HOLES - 1.000" DIA DRILL THRU  
4 HOLES - .875"-9 UNC-2B TAP x 1.06" DEEP  
LOCATED AS SHOWN  
(TYP EACH FLANGE)

PARTS LIST			
HOMESTEAD® VALVES			
A DIVISION OF OLSON TECHNOLOGIES, INC.			
160 WALNUT ST. ALLENTOWN, PA. 18102 (610) 770-1100			
WWW.HOMESTEADVALVE.COM			
TITLE		NUMBER	
10" E126 - GEAR OPERATED ECCENTRIC PLUG VALVE		SK-4053	
A	S791	RH	6/25/16
REV	ISSUE	BY	APPR
			DATE