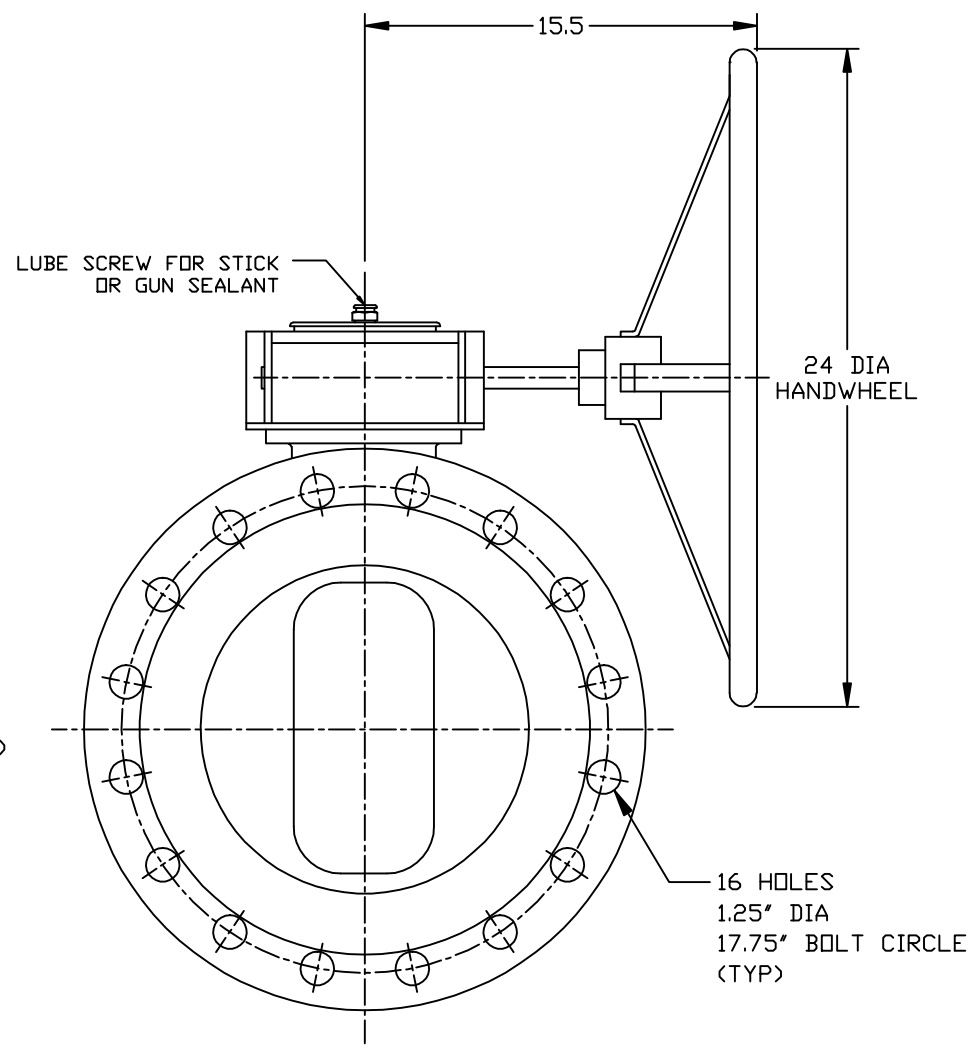
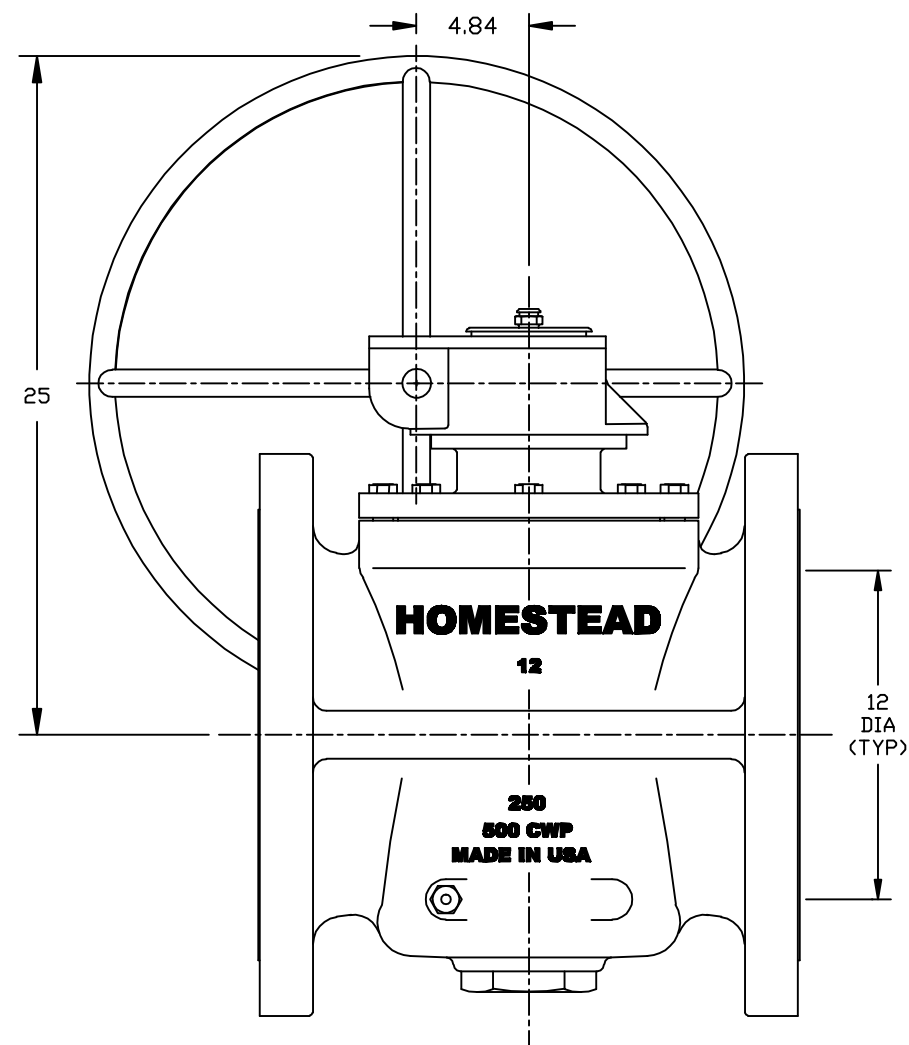


ANSI CLASS 250, LUBRICATED PLUG VALVES WITH GEARS AND HANDWHEELS

GENERAL SPECIFICATIONS:

1. FACE-TO-FACE LENGTHS CONFORM TO ANSI B16.10 FACE-TO-FACE AND END-TO-END DIMENSIONS CLASS 250 CAST IRON PLUG VALVES, VENTURI PATTERN.
2. FLANGES CONFORM TO ANSI B16.1 'CAST IRON PIPE FLANGES AND FLANGE FITTINGS', CLASS 250.
3. FACE-TO-FACE INCLUDES .06" RAISED FACES.
4. FIG 712G1 VALVES HAVE GEARS SIZED FOR APPLICATIONS UP TO 250 PSI.
5. FOR FLAMMABLE FLUID OR GAS APPLICATIONS, THE MAXIMUM OPERATING PRESSURE IS 125 PSI.
6. VALVE PART NUMBER 0712601120.



18	GEAR WITH HANDWHEEL	COMMERCIAL
17	KEY	STEEL
16	CAPSCREW	STEEL-ZINC PLATED
15	SEAL	NITRILE
14	SEALANT	AS REQUIRED
13	LUBE FITTING	STEEL
12	LUBE SCREW	STEEL
11	CHECK VALVE	STEEL
10	O-RING	VITON
9	HEAD SEAL	PTFE
8	DISC	PTFE
7	DISC	STEEL
6	SPRING	STEEL
5	CAPSCREW	STEEL-ZINC PLATED
4	ADAPT-O-CAP	A536 65-45-12
3	BONNET	A536 65-45-12
2	PLUG	A126 CL B
1	BODY	A536 65-45-12
NO.	PART NAME	MATERIAL

PARTS LIST

HOMESTEAD VALVES
A DIVISION OF OLSON TECHNOLOGIES, INC.
160 WALNUT ST. ALLENTOWN, PA. 18102 (610) 770-1100

REV	ISSUE	BY	APPR	DATE	TITLE	NUMBER
C	S1891	ND		2/20	12" FIG 712G1 LUBRICATED PLUG VALVES	SK-2001
B	R296	HCS	TRS	5/98		
A	R227	HCS	TRS	1/98		