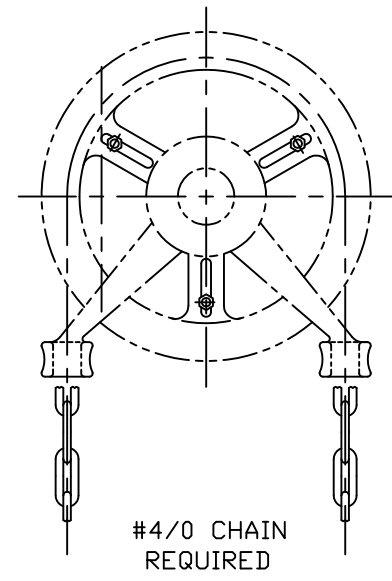
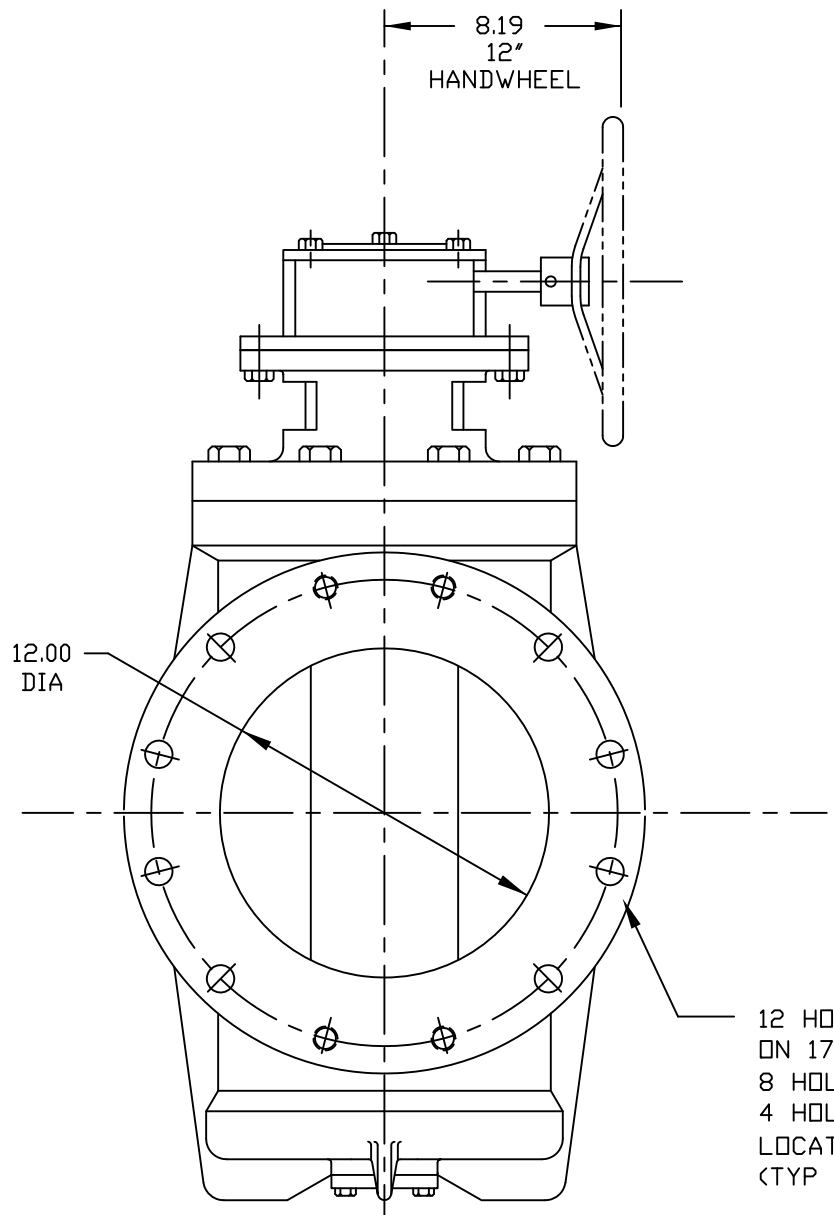
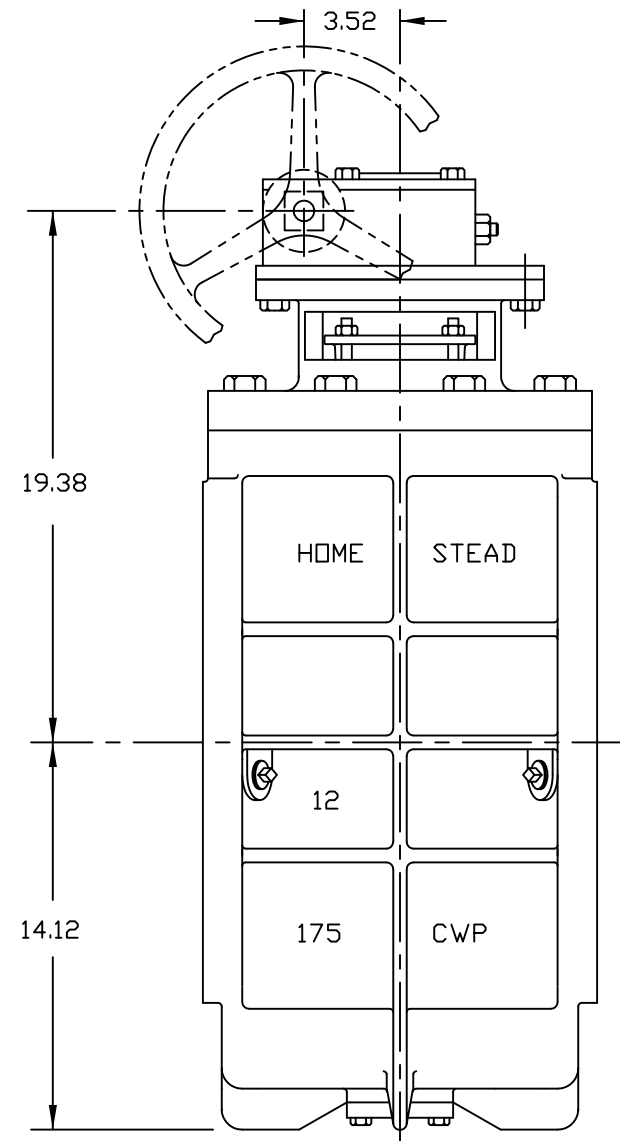


NOTES:

1. VALVES ARE MANUFACTURED IN ACCORDANCE WITH ANSI/AWWA C517-09, "RESILIENT-SEATED CAST IRON ECCENTRIC PLUG VALVES."
2. END FLANGE DIMENSIONS AND DRILLING ARE IN ACCORDANCE WITH ASME/ANSI B16.1, CLASS 125 FOR CAST IRON PIPE FLANGES AND FLANGE FITTINGS.
3. PAINT: BLUE - SEMI-GLOSS METAL PRIMER
4. ELASTOMERS AVAILABLE: BUNA-N
EPDM
NEOPRENE
VITON
5. WEIGHTS: VALVE - 565 LBS
GEAR - 56 LBS



ALL DIMENSIONS IN INCHES



19	CHAINWHEEL ASSY	COMMERCIAL
18	GEAR	COMMERCIAL
17	KEY	STEEL
16	CAPSCREW	STEEL, ZINC PLATED
15	CAPSCREW	STEEL, ZINC PLATED
14	SEAL	SEE NOTE 4
13	COVER PLATE	A126 CLB
12	PIPE PLUG	IRON
11	CAPSCREW	STEEL, ZINC PLATED
10	SEAL	SEE NOTE 4
9	HEX NUT	STEEL, ZINC PLATED
8	STUD	STEEL, ZINC PLATED
7	PACKING GLAND	A126 CLB
6	PACKING	V-RING, SEE NOTE 4
5	THRUST BEARING	PTFE
4	RADIAL BEARING	PERM. LUBRICATED 316SS
3	PLUG	A126 CLB/SEE NOTE 4
2	CAP	A126 CLB
1	BODY	A126 CLB/NICKEL SEAT
NO.	PART NAME	MATERIAL

PARTS LIST

HOMESTEAD[®] VALVES
 A DIVISION OF OLSON TECHNOLOGIES, INC.
 160 WALNUT ST. ALLENTOWN, PA. 18102 (610) 770-1100
 WWW.HOMESTEADVALVE.COM

12 HOLES EQ. SP. TO STRADDLE ϕ ON 17.000" DIA B.C.
 8 HOLES - 1.000" DIA DRILL THRU
 4 HOLES - .875"-9 UNC-2A TAP x 1.00" DP
 LOCATED AS SHOWN
 (TYP EACH FLANGE)

TITLE				
				12" E126 - GEAR OPERATED ECCENTRIC PLUG VALVE
REV	ISSUE	BY	APPR	DATE
B	S1600	RH		7/19/14
A	S850	RH	DED	11/07/06
				NUMBER
				SK-4047