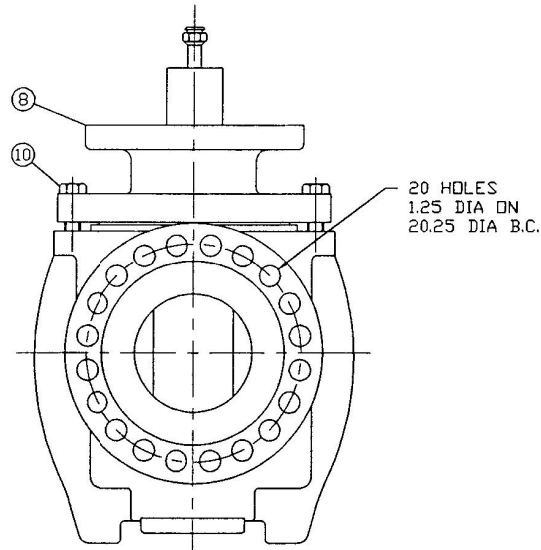
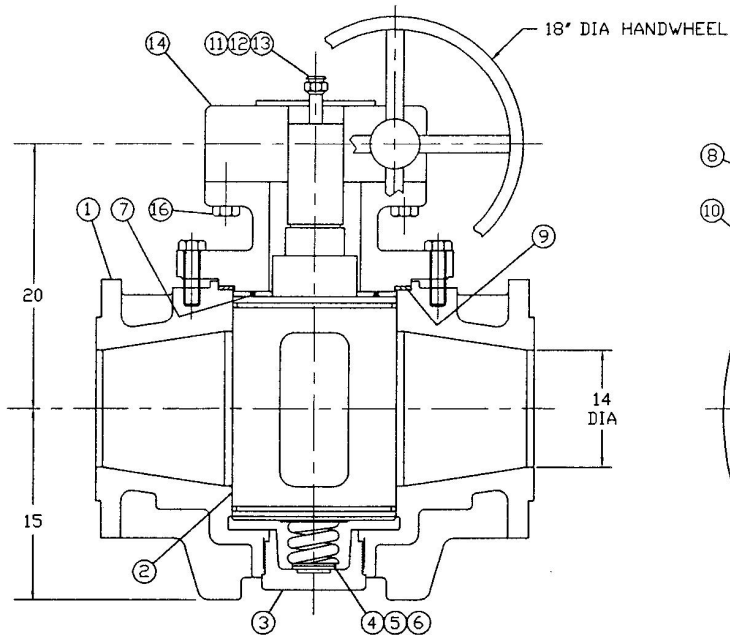


NOTES:

- 1) VALVE CONFORMS TO MSS SP-78, CAST IRON PLUG VALVES FLANGED AND THREADED ENDS, CLASS 250 (300 CWP)
- 2) VALVE FACE-TO-FACE LENGTH CONFORMS TO ANSI B16.10 FACE-TO-FACE AND END-TO-END DIMENSIONS OF FERROUS VALVES, CLASS 250 CAST IRON PLUG VALVES, VENTURI PATTERN.
- 3) FLANGES CONFORM TO ANSI B16.1 CAST IRON PIPE FLANGES AND FLANGE FITTINGS CLASS 250.
- 4) VALVE SIZE 14" IS CLASS 250 (300 CWP) WITH DUCTILE IRON BODY.



NO.	PART NAME	MATERIAL
16	HEX CAPSCREW	STEEL
15	KEY	STEEL
14	GEAR OPERATOR	COMMERCIAL
13	CHECK VALVE	CAST IRON
12	O RING	NITRILE
11	LUBE SCREW	STEEL
10	HEX CAPSCREW	STEEL
9	GASKET	COMMERCIAL
8	CAP	CAST IRON
7	HEAD SEAL	TEFLON
6	DISC	TEFLON
5	DISC	STEEL
4	SPRING	STEEL
3	BONNET	CAST IRON
2	PLUG	CAST IRON
1	BODY	CAST IRON

PARTS LIST				TITLE	
<b>HOMESTEAD VALVES</b>				14" FIG 702 ASSEMBLY WITH MANUAL GEAR	
A DIVISION OF DLSOON TECHNOLOGIES, INC. 160 WALNUT ST. ALLENTOWN, PA. 18102 (610) 770-1100					
C	R287	HC	1/2	05/14/98	NUMBER 71032
B	R205	RH	TRS	9/18/97	
A	R114	RH	TRS	9/12/96	
REV	ISSUE	BY	APPR	DATE	