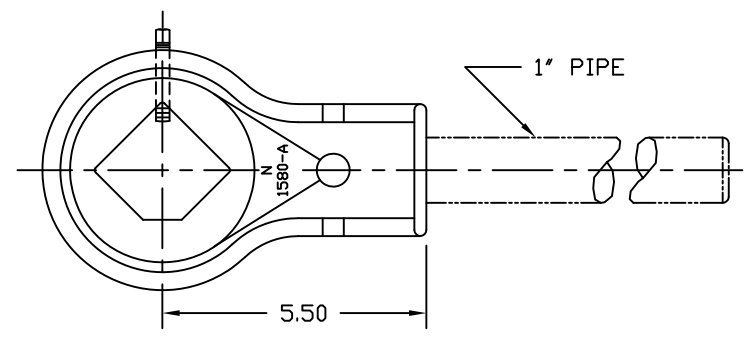
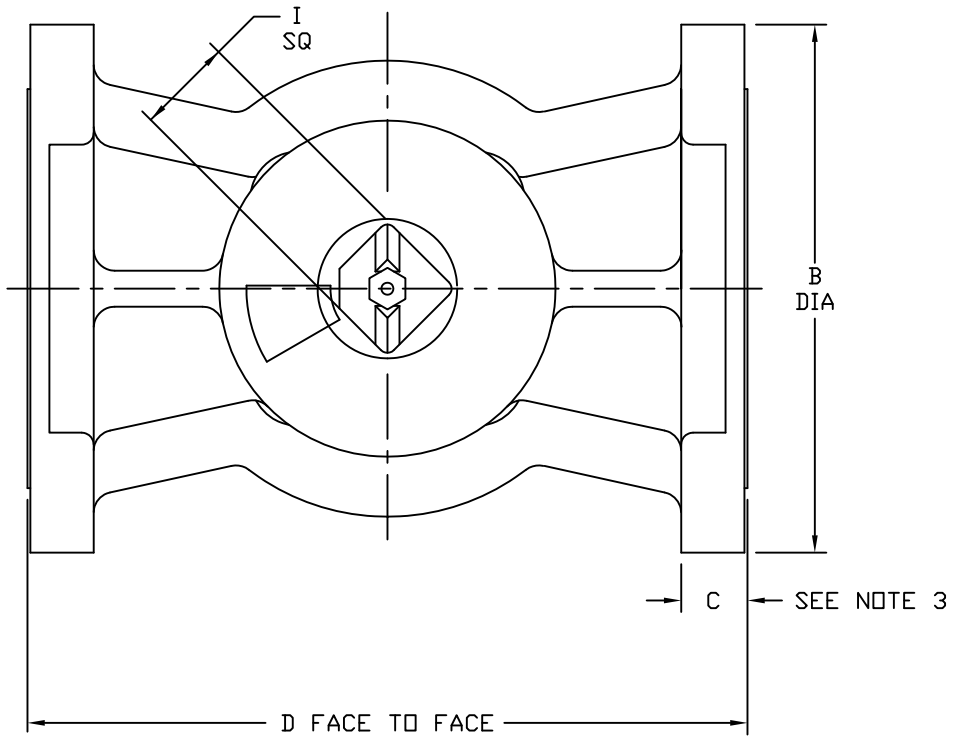


TABLE OF DIMENSIONS												
VALVE SIZE	PART NO.	CWP	A	B	C	D	E	F	G	H	I	WRENCH
2.5	0702005024	500	2.5	7.50	1.00	9.50	8	.88	5.88	6	1.22	E
3	0702005030	500	3	8.25	1.12	11.12	8	.88	6.62	7	1.50	L
4	0702005040	500	4	10.00	1.25	12.00	8	.88	7.88	9	2.00	N
5	0702005050	500	5	11.00	1.37	15.25	8	.88	9.25	10	2.00	N

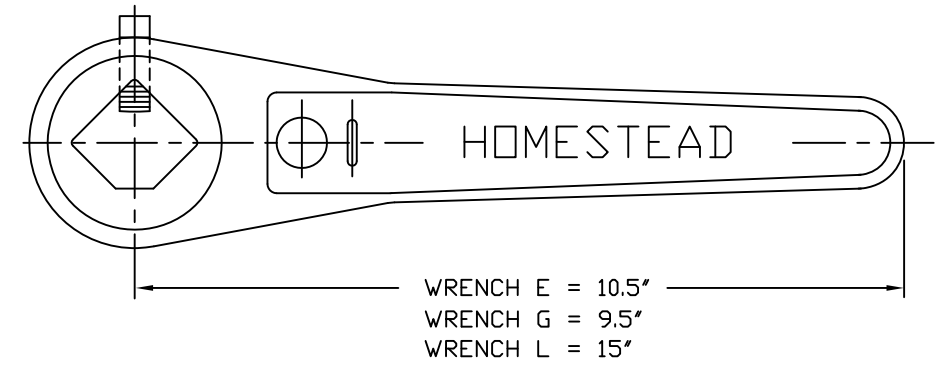
ANSI CLASS 250, LUBRICATED PLUG VALVE

GENERAL SPECIFICATIONS:

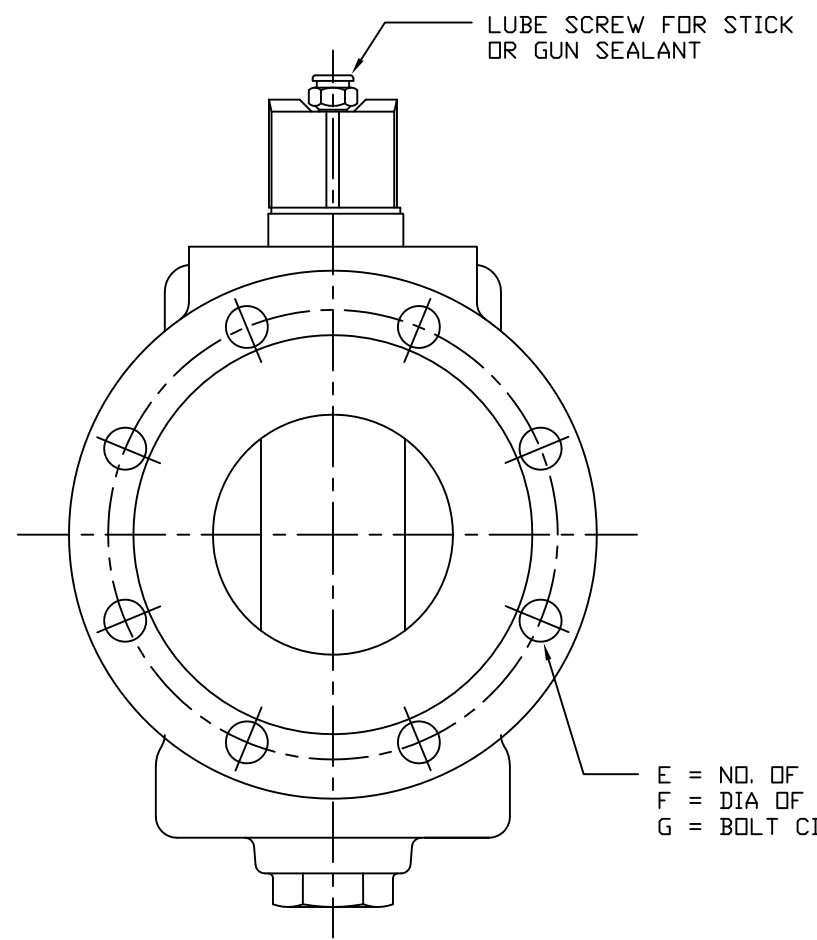
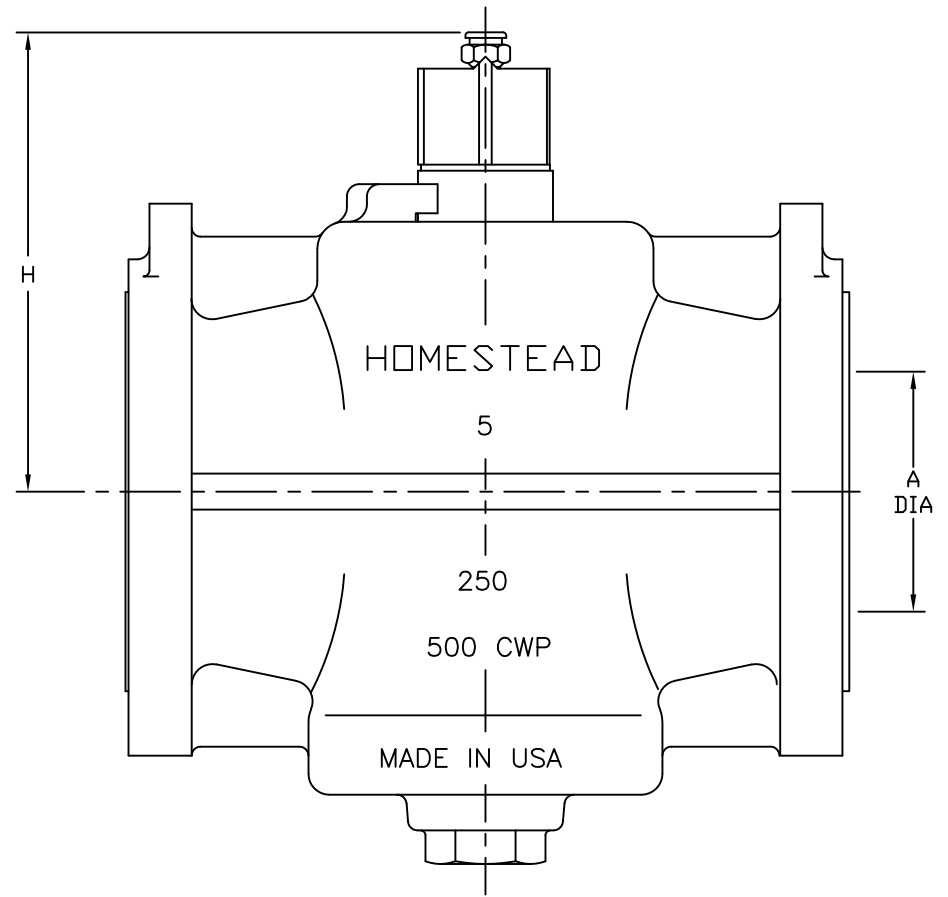
1. FACE-TO-FACE LENGTH CONFORMS TO ANSI B16.10
FACE-TO-FACE AND END-TO-END DIMENSIONS OF FERROUS VALVES, CLASS 250 CAST IRON PLUG VALVES, REGULAR PATTERN.
2. FLANGES CONFORM TO ANSI B16.1 "CAST IRON PIPE FLANGES AND FLANGE FITTINGS", CLASS 250.
3. FACE-TO-FACE DIMENSION INCLUDES .06" RAISED FACES
4. FOR FLAMMABLE FLUID OR GAS APPLICATIONS, THE MAXIMUM OPERATING PRESSURE IS 125 PSI



"N" WRENCH SOLD SEPARATELY WITHOUT PIPE HANDLE



WRENCH SOLD SEPARATELY



E = NO. OF DRILLED HOLES
F = DIA OF DRILLED HOLES
G = BOLT CIRCLE

11	SEALANT	AS REQUIRED
10	LUBE SCREW	STEEL
9	CHECK VALVE	STEEL
8	O-RING	VITON
7	HEAD SEAL	PTFE
6	DISC	PTFE
5	DISC	STEEL
4	SPRING	STEEL
3	BONNET	A536 65-45-12
2	PLUG	A126 CLASS B
1	BODY	A536 65-45-12
NO.	PART NAME	MATERIAL

PARTS LIST

HOMESTEAD VALVES
A DIVISION OF OLSON TECHNOLOGIES, INC.
160 WALNUT ST. ALLENTOWN, PA. 18102 (610) 770-1100

TITLE				NUMBER
B	S	RAH	DATE	
B	S1652	RAH	11/3/15	SK-2018
A	R296	HCS TRS	5/98	
REV	ISSUE	BY	APPR	DATE