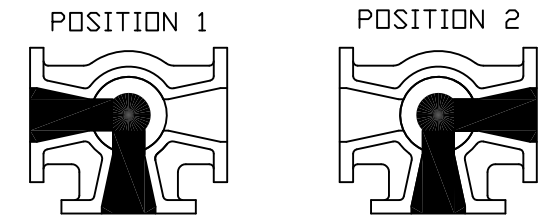
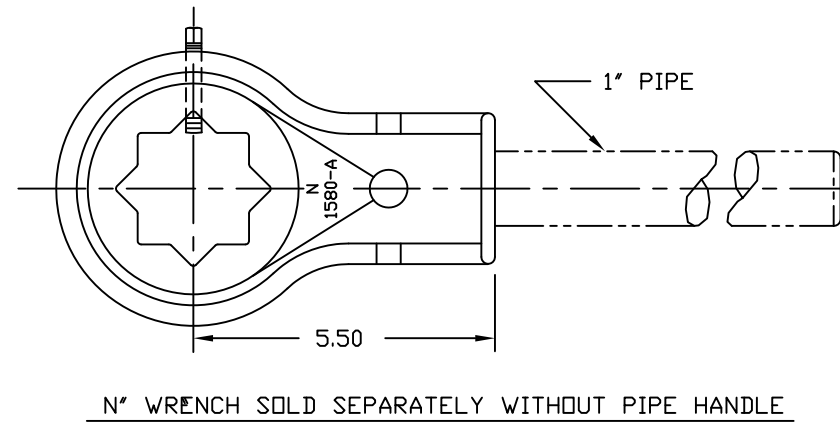
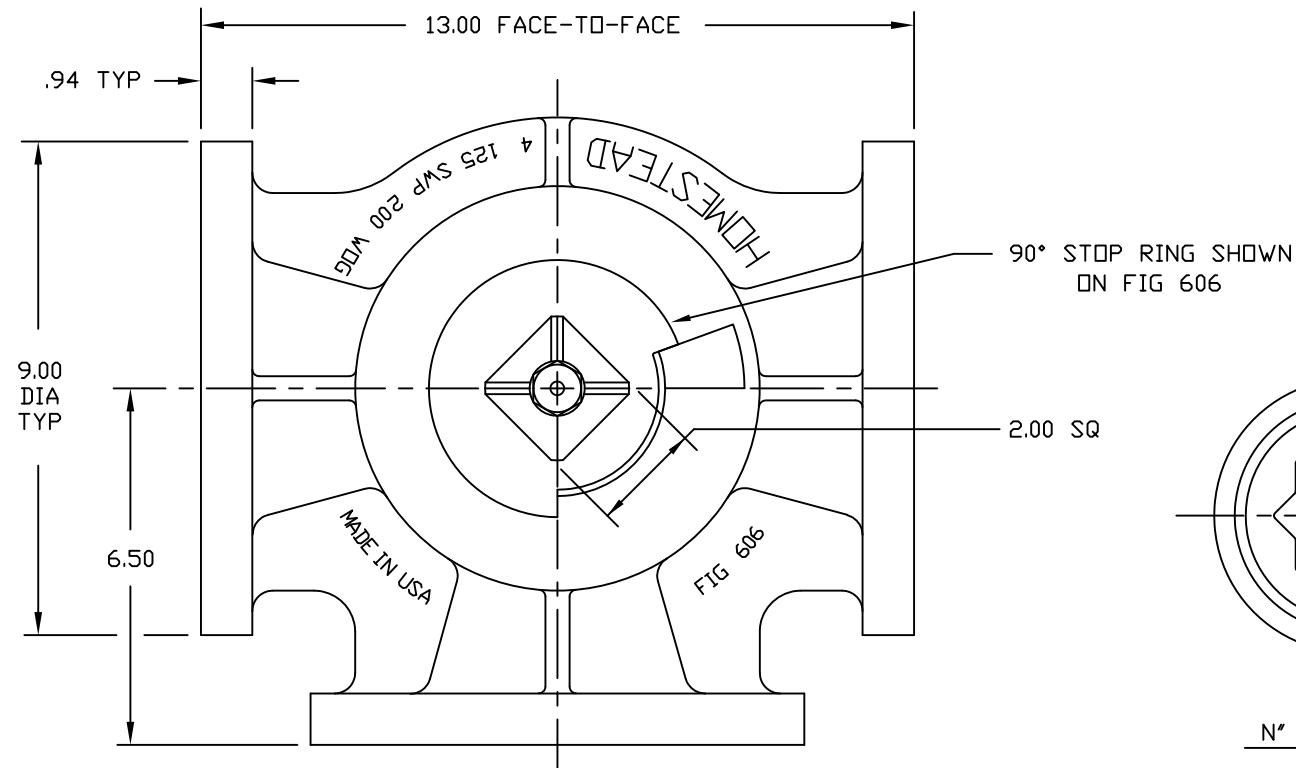
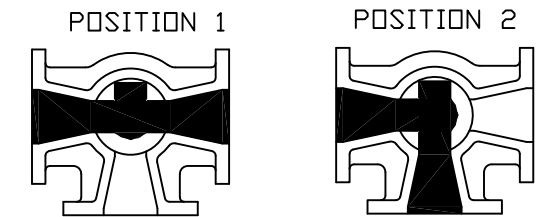


ANSI CLASS 125, CAST IRON LUBRICATED PLUG VALVE  
GENERAL SPECIFICATIONS:

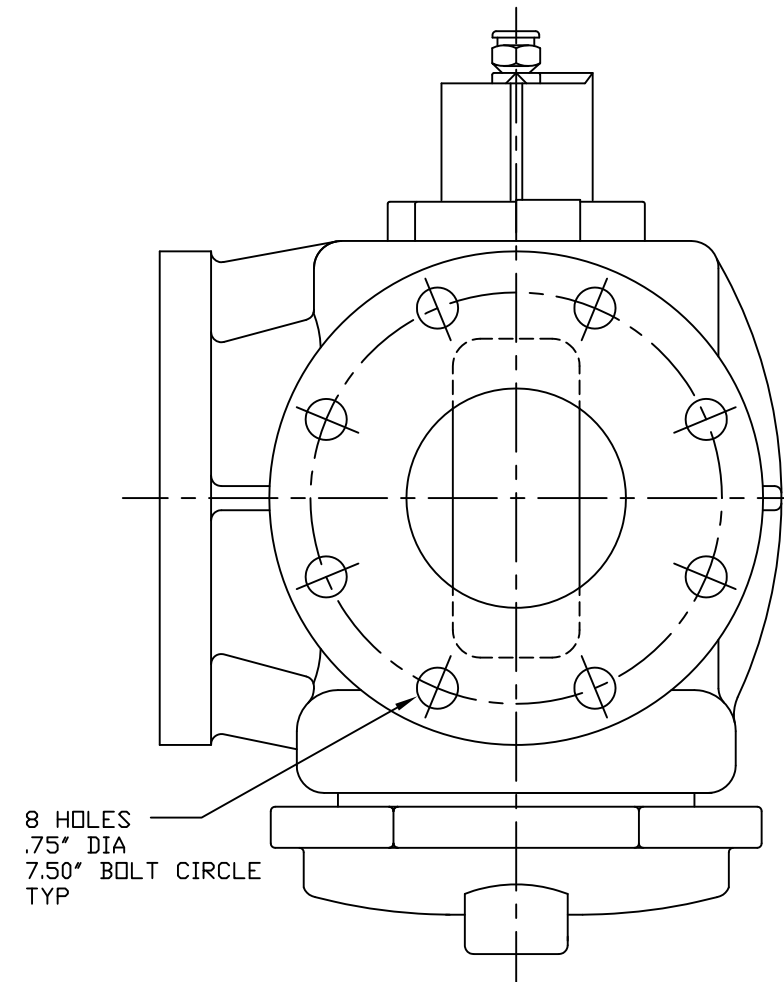
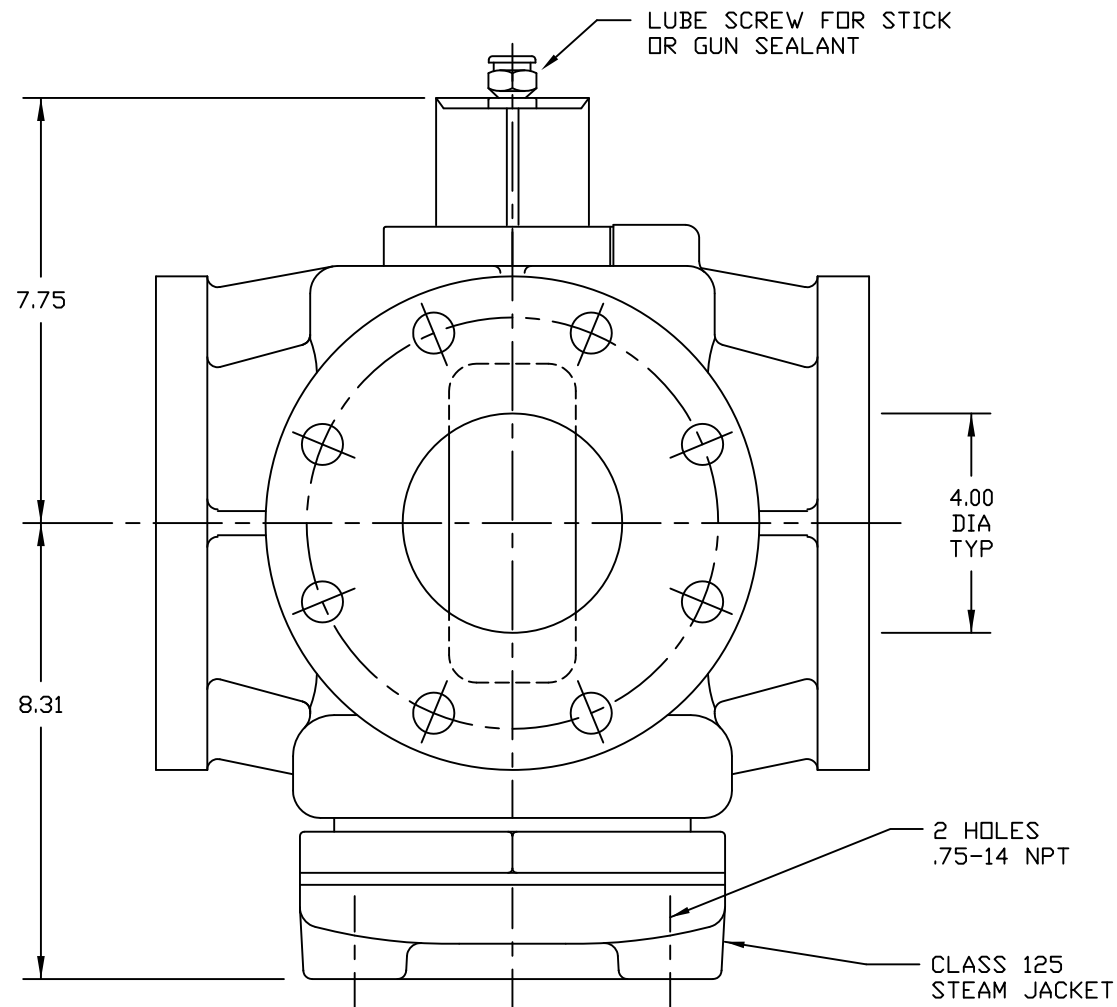
1. WRENCH HEAD FOR 1" PIPE HANDLE SOLD SEPARATELY  
ORDER "N" WRENCH WITHOUT HANDLE
2. ORDER SHALL INDICATE STYLE. SEE SK-2029 FOR  
"HOW TO ORDER" INSTRUCTIONS.
3. PART NUMBERS: (INCLUDES A STOP RING).  
0604401040 (3-WAY, 2-PORT) FIG 604 SJ  
0606401040 (3-WAY, 3-PORT) FIG 606 SJ



3-WAY, 2-PORT, 90° TURN  
FIG 604 STYLE A EXAMPLE



3-WAY, 3-PORT, 90° TURN  
FIG 606 STYLE F EXAMPLE



13	SEALANT	750S
12	SET SCREW	STEEL
11	STOP-RING	A126 CL B
10	LUBE SCREW	STEEL
9	CHECK VALVE	STEEL
8	O RING	VITON
7	HEAD SEAL	PEEK
6	DISC	PTFE
5	DISC	STEEL
4	SPRING	STEEL
3	BONNET	A536 65-45-12
2	PLUG B	A126 CL B
1	BODY	A126 CL B
NO.	PART NAME	MATERIAL

PARTS LIST

**HOMESTEAD VALVES**  
A DIVISION OF OLSON TECHNOLOGIES, INC.  
160 WALNUT ST. ALLENTOWN, PA. 18102 (610) 770-1100

TITLE				4" FIG 604/606 SJ
LUBRICATED PLUG VALVE				
A	SI507	RAH	11/12/13	NUMBER
REV	ISSUE	BY	APPR	DATE
				SK-2203