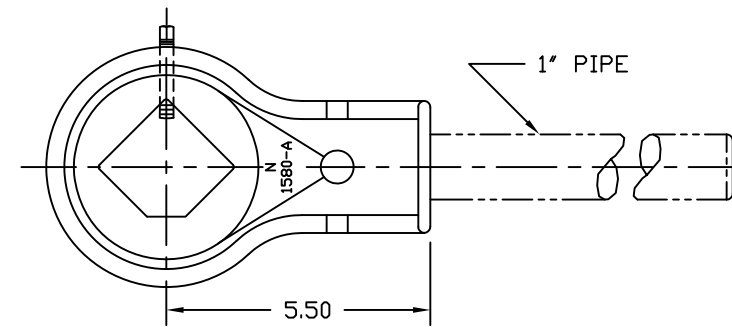
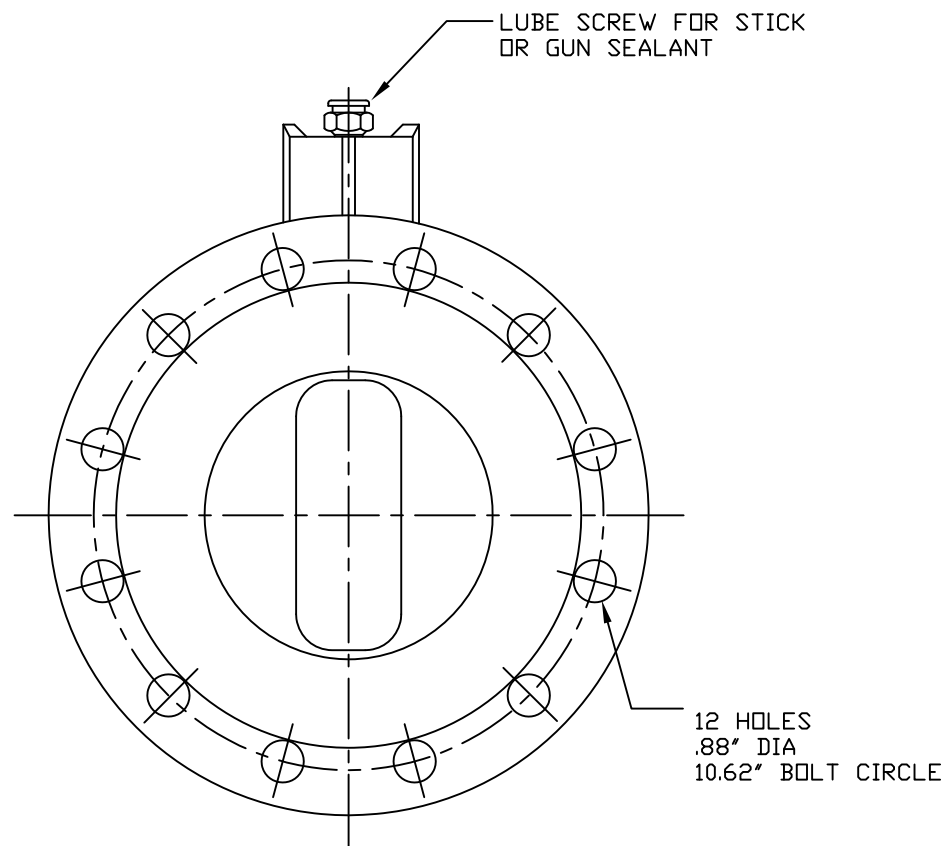
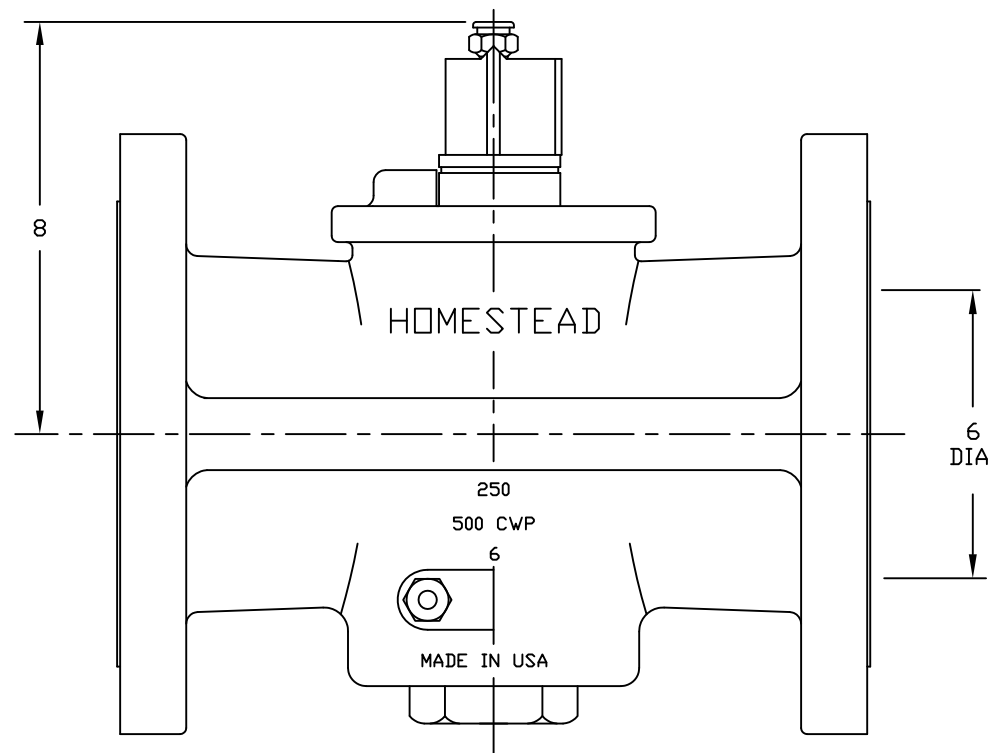


ANSI CLASS 250, LUBRICATED PLUG VALVE
GENERAL SPECIFICATIONS:

1. FACE-TO-FACE LENGTH CONFORMS TO ANSI B16.10 FACE-TO-FACE AND END-TO-END DIMENSIONS OF FERROUS VALVES, CLASS 250 CAST IRON PLUG VALVES, VENTURI PATTERN.
2. FLANGES CONFORM TO ANSI B16.1 "CAST IRON PIPE FLANGES AND FLANGE FITTINGS", CLASS 250.
3. FACE-TO-FACE DIMENSION INCLUDES .06" RAISED FACES
4. FOR FLAMMABLE FLUID OR GAS APPLICATIONS, THE MAXIMUM OPERATING PRESSURE IS 125 PSI



N WRENCH SOLD SEPARATELY WITHOUT PIPE HANDLE



12	SEALANT	AS REQUIRED
11	LUBE FITTING	STEEL
10	LUBE SCREW	STEEL
9	VALVE CHECK	STEEL
8	O-RING	VITON
7	HEAD SEAL	PTFE
6	DISC	PTFE
5	DISC	STEEL
4	SPRING	STEEL
3	BONNET	A536 65-45-12
2	PLUG	A126 CL B
1	BODY	A536 65-45-12
NO.	PART NAME	MATERIAL

PARTS LIST

HOMESTEAD VALVES
A DIVISION OF OLSON TECHNOLOGIES, INC.
160 WALNUT ST. ALLENTOWN, PA. 18102 (610) 770-1100

REV	ISSUE	BY	APPR	DATE	TITLE	NUMBER
D	S1652	RAH		11/3/15	6" FIG 712 LUBRICATED PLUG VALVE	SK-2007
C	R296	HCS	TRS	5/98		
B	R200	HCS	TRS	8/97		