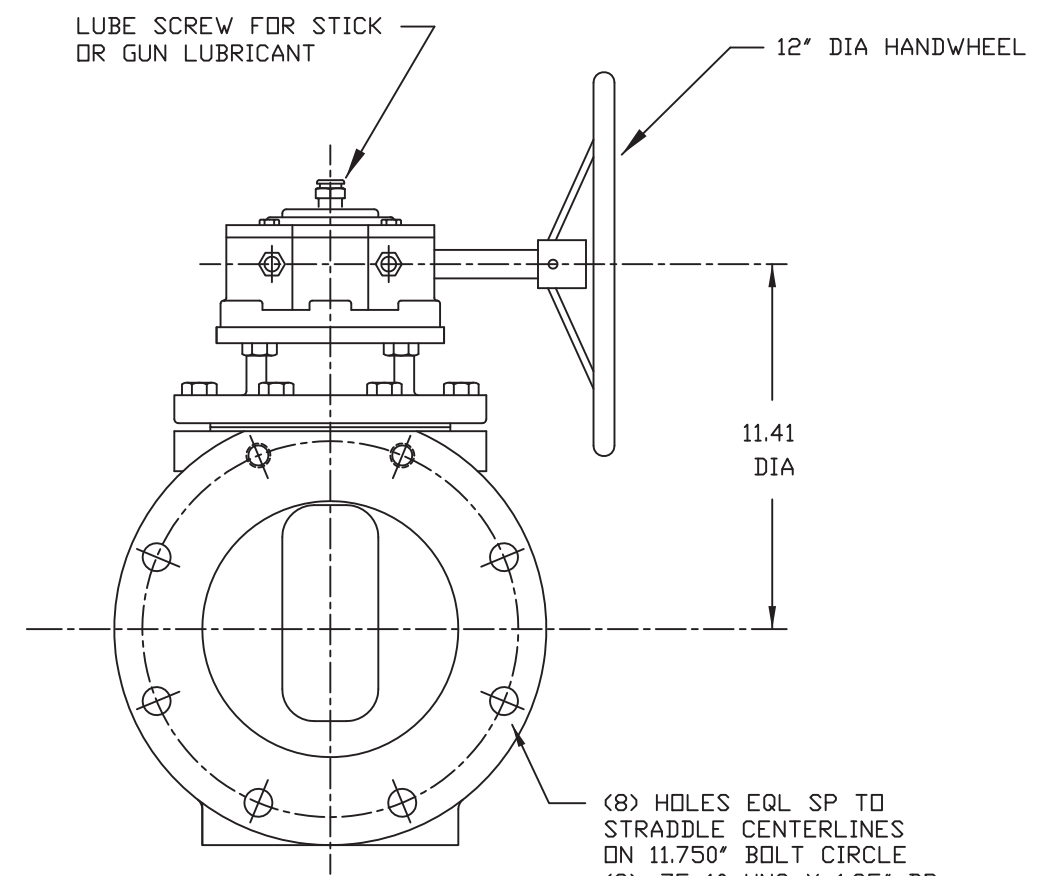
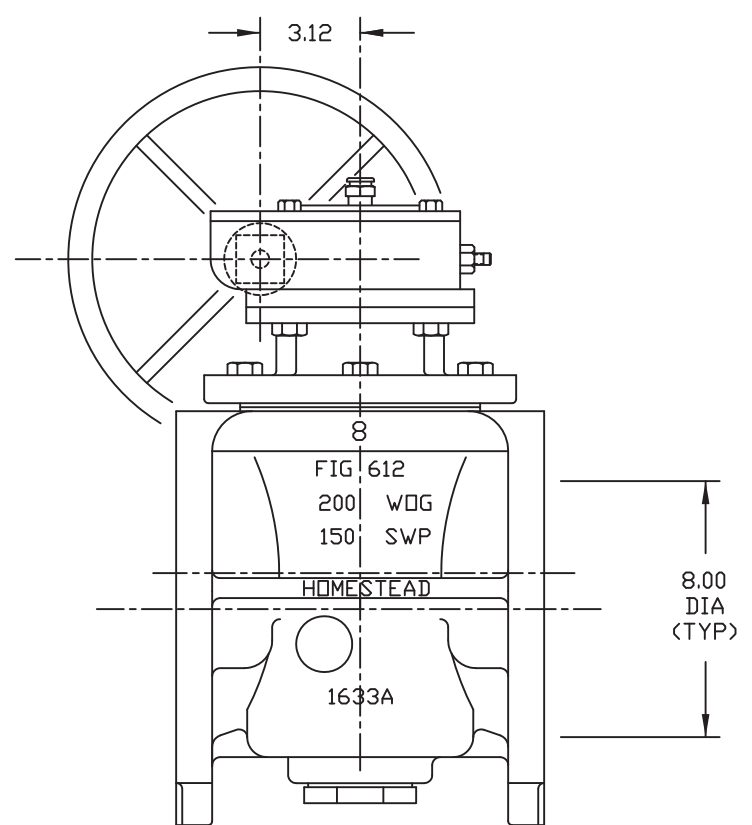


VALVE TYPE:
 CLASS 125, CAST IRON LUBRICATED PLUG VALVE
GENERAL SPECIFICATIONS:

1. FACE-TO-FACE LENGTH CONFORMS TO ANSI B16.10 "FACE-TO-FACE AND END-TO-END DIMENSIONS OF VALVES", CLASS 125 CAST IRON PLUG VALVES, SHORT PATTERN.
2. FLANGES CONFORM TO ANSI B16.1 "CAST IRON PIPE FLANGES AND FLANGE FITTINGS," CLASS 125.

NOTES:

1. VALVE SHOWN IN CLOSED POSITION.
2. ROTATION TO OPEN POSITION IS COUNTER-CLOCKWISE.



(8) HOLES EQL SP TO STRADDLE CENTERLINES ON 11.750" BOLT CIRCLE
 (2) .75-10 UNC X 1.25" DP
 (6) .875" DIA THRU

19	GEAR WITH HANDWHEEL	COMMERCIAL
18	KEY	STEEL
17	CAPSCREW	STEEL
16	SEALANT	650S
15	LUBE FITTING	STEEL
14	LUBE SCREW	STEEL
13	CHECK VALVE	STEEL
12	O-RING	VITON
11	GASKET	NITRILE
10	HEAD SEAL	PTFE
9	DISC	PTFE
8	DISC	STEEL
7	SPRING	STEEL
6	CAPSCREW	STEEL
5	ADAPT-O-CAP	A126 CL B
4	GASKET	COPPER
3	BONNET	A126 CL B
2	PLUG	A126 CL B
1	BODY	A126 CL B
NO.	PART NAME	MATERIAL

PARTS LIST				
HOMESTEAD VALVES				
A DIVISION OF OLSON TECHNOLOGIES, INC.				
160 WALNUT ST. ALLENTOWN, PA. 18102 (610) 770-1100				
				TITLE
				8" FIG 612G
				LUBRICATED PLUG VALVE
				NUMBER
				SK-2189
REV	ISSUE	BY	APPR	DATE
B	S1827	DM	RAH	5/16/19
A	S1507	RH	DM	7/25/13