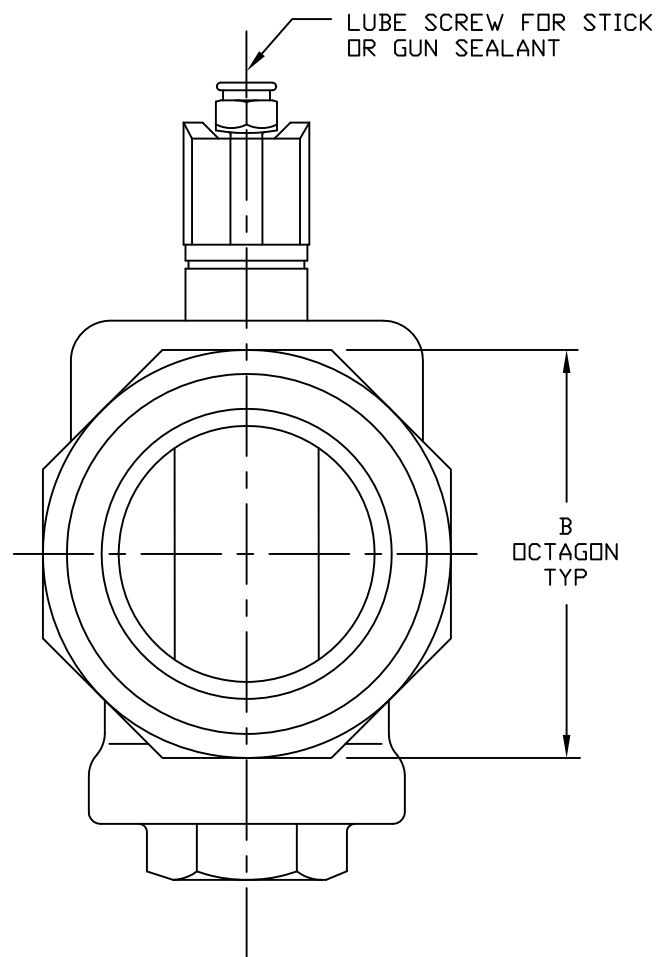
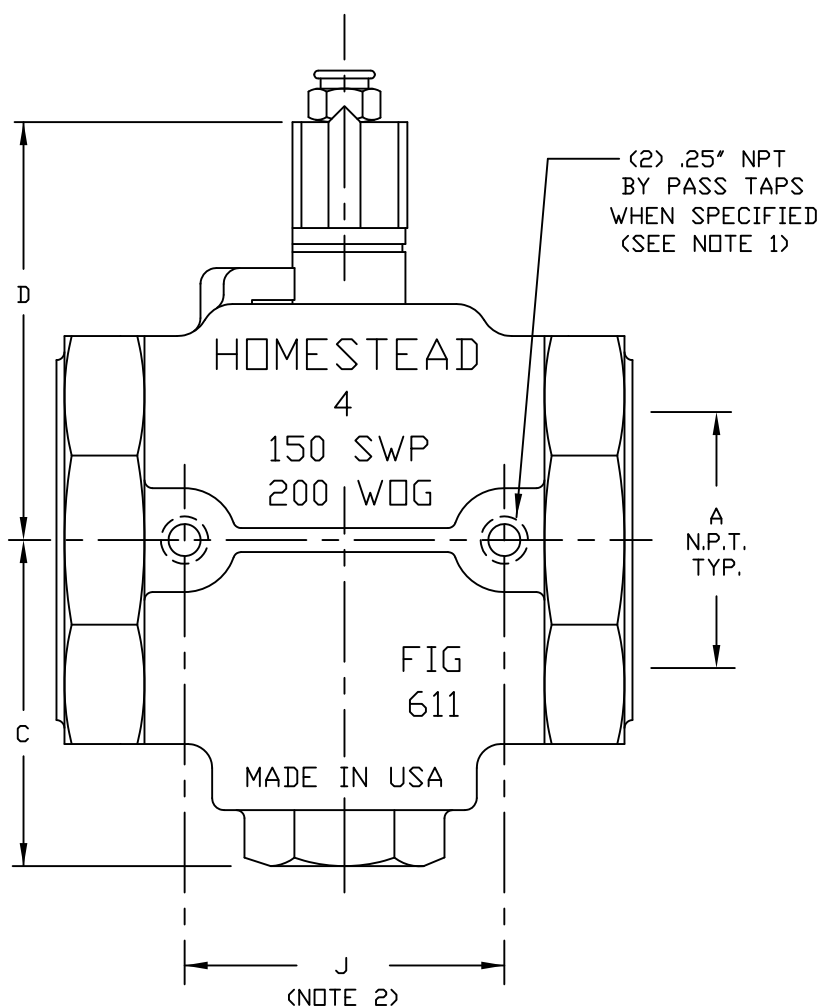
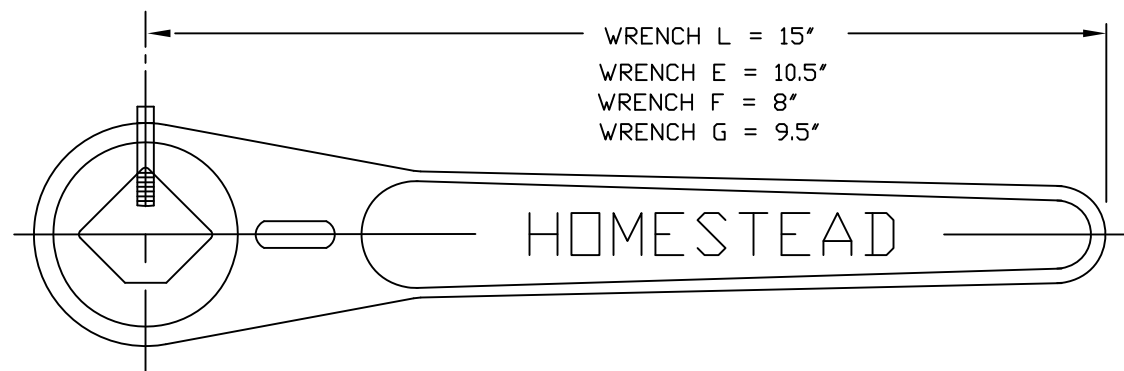


TABLE OF DIMENSIONS (INCHES)													
VALVE SIZE	PART NO.	CWP (psi)	A	B	C	D	E	F	G	H	I	J	WRENCH
1.000	0611009010	200	1.000	2.125	2.594	2.812	4.250	2.125	1.688	2.062	.781	2.250	F
1.250	0611009012	200	1.250	2.562	2.656	3.312	5.000	2.500	2.188	2.562	.906	2.625	G
1.500	0611009014	200	1.500	2.812	2.656	3.312	5.000	2.500	2.250	2.812	.906	2.625	G
2.000	0611009020	200	2.000	3.500	3.375	4.000	6.000	3.000	2.750	3.876	.906	3.125	G
2.500	0611001024	200	2.500	4.250	3.906	5.125	6.750	3.375	3.375	5.000	1.219	3.500	E
3.000	0611001030	200	3.000	5.000	4.188	5.407	7.625	3.813	4.250	5.625	1.219	4.250	E
4.000	0611001040	200	4.000	6.375	5.156	6.532	9.000	4.500	5.625	6.250	1.500	5.500	L



ANSI CLASS 125, CAST IRON LUBRICATED PLUG VALVE
GENERAL SPECIFICATIONS:

1. OTHER TAP SIZES AVAILABLE UPON CUSTOMER REQUEST
2. ALL SIZES ARE AVAILABLE AS UL LISTED.
3. ALL SIZES ARE AVAILABLE AS CSA APPROVED.
4. WRENCHES SOLD SEPARATELY.

11	SEALANT	AS APPLICABLE
10	LUBE SCREW	STEEL
9	CHECK VALVE	STEEL
8	O-RING	VITON
7	HEAD SEAL	PTFE
6	DISC	PTFE
5	DISC	STEEL
4	SPRING	STEEL
3	BONNET	A126 CLASS B
2	PLUG	A126 CLASS B
1	BODY	A126 CLASS B
NO.	PART NAME	MATERIAL

PARTS LIST
HOMESTEAD[®] VALVES
A DIVISION OF OLSON TECHNOLOGIES, INC.
160 WALNUT ST. ALLENTOWN, PA. 18102 (610) 770-1100

REV	ISSUE	BY	APPR	DATE	TITLE
C	SI582	RAH		3/25/14	FIG 611 LUBRICATED PLUG VALVES
B	S071	HCS	DED	4/19/01	
A	R836	HCS	RAH/DED	4/3/01	
					NUMBER
					SK-2087