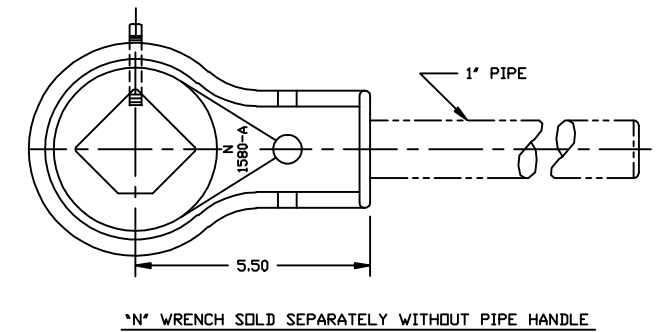
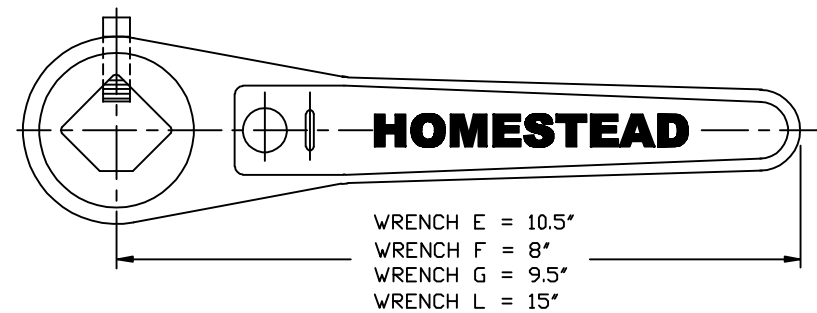


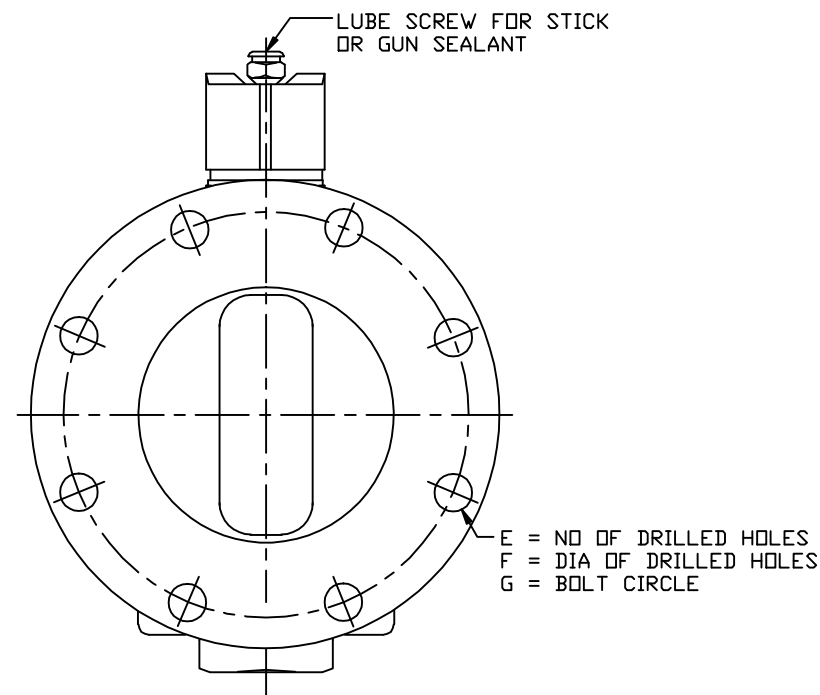
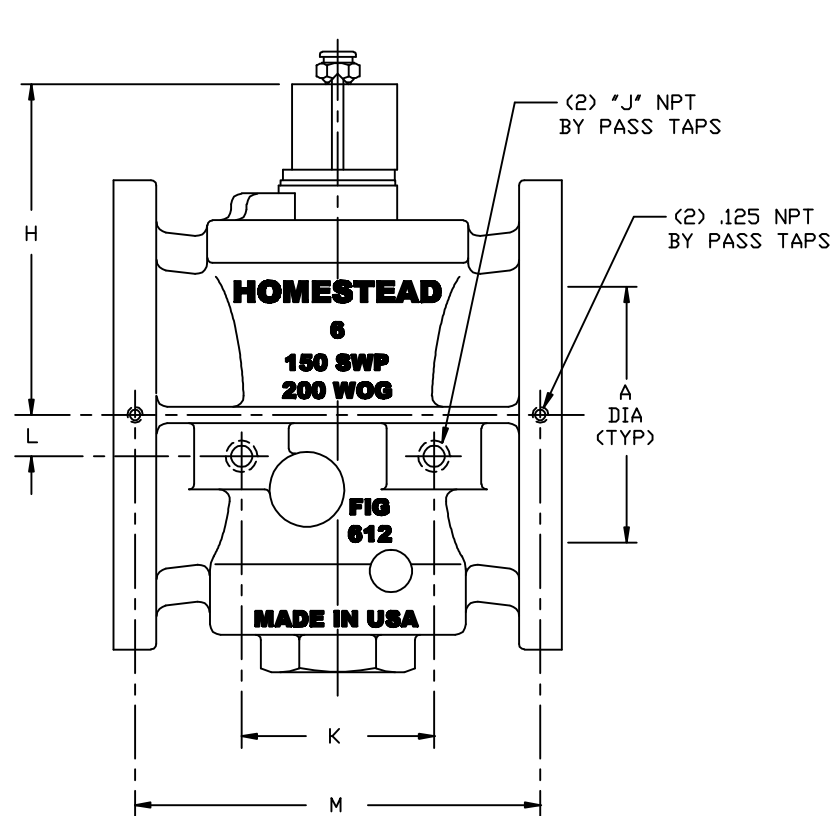
TABLE OF DIMENSIONS																
VALVE SIZE	PART NO.	CWP	A	B	C	D	E	F	G	H	I	J	K	L	M	WRENCH
1	0612009010	200	1.00	4.25	.44	5.50	4	.62	3.12	2.91	.78	-	-	-	5.062	F
1.25	0612009012	200	1.25	4.62	.50	6.00	4	.62	3.50	3.31	.91	-	-	-	5.500	G
1.50	0612009014	200	1.50	5.00	.56	6.50	4	.62	3.88	3.50	.91	-	-	-	5.937	G
2	0612009020	200	2.00	6.00	.62	7.00	4	.75	4.75	4.00	.91	.250	3.125	.625	-	G
2.50	0612001024	200	2.50	7.00	.69	7.50	4	.75	5.50	5.13	1.22	-	-	-	6.812	E
3	0612001030	200	3.00	7.50	.75	8.00	4	.75	6.00	5.41	1.22	-	-	-	7.250	E
4	0612001040	200	4.00	9.00	.94	9.00	8	.75	7.50	6.53	1.50	.500	4.250	.875	-	L
5	0612001050	200	6.00	10.00	1.00	10.50	8	.88	8.50	7.75	2.00	.750	5.250	.875	-	N
6	0612001060	200	6.00	11.00	1.00	10.50	8	.88	9.50	7.75	2.00	.750	5.250	.875	-	N
8	0612001080	200	8.00	13.50	1.12	11.50	8	.88	11.75	9.19	2.00	.750	7.250	1.468	-	N



ANSI CLASS 125, CAST IRON LUBRICATED PLUG VALVE

GENERAL SPECIFICATIONS:

- FACE-TO-FACE LENGTH CONFORMS TO ANSI B16.10, FACE TO FACE AND END-TO-END DIMENSIONS OF VALVES, CLASS 125 CAST IRON PLUG VALVES, SHORT PATTERN, EXCEPT 1.25\"/>



NO.	PART NAME	MATERIAL
11	SEALANT	AS APPLICABLE
10	LUBE SCREW	STEEL
9	CHECK VALVE	STEEL
8	O-RING	VITON
7	HEAD SEAL	PTFE
6	DISC	PTFE
5	DISC	STEEL
4	SPRING	STEEL
3	BONNET	A126 CL B
2	PLUG	A126 CL B
1	BODY	A126 CL B

PARTS LIST			
HOMESTEAD VALVES			
A DIVISION OF OLSON TECHNOLOGIES, INC.			
160 WALNUT ST. ALLENTOWN, PA. 18102 (610) 770-1100			
D	S1863	ND	10/17/19
C	S1582	RAH	DM 3/25/14
B	S047	HCS	DED 6/28/01
A	R318	HCS	DED 11/22/99
REV	ISSUE	BY	APPR DATE
			TITLE
			1\"/>
			NUMBER
			SK-2035